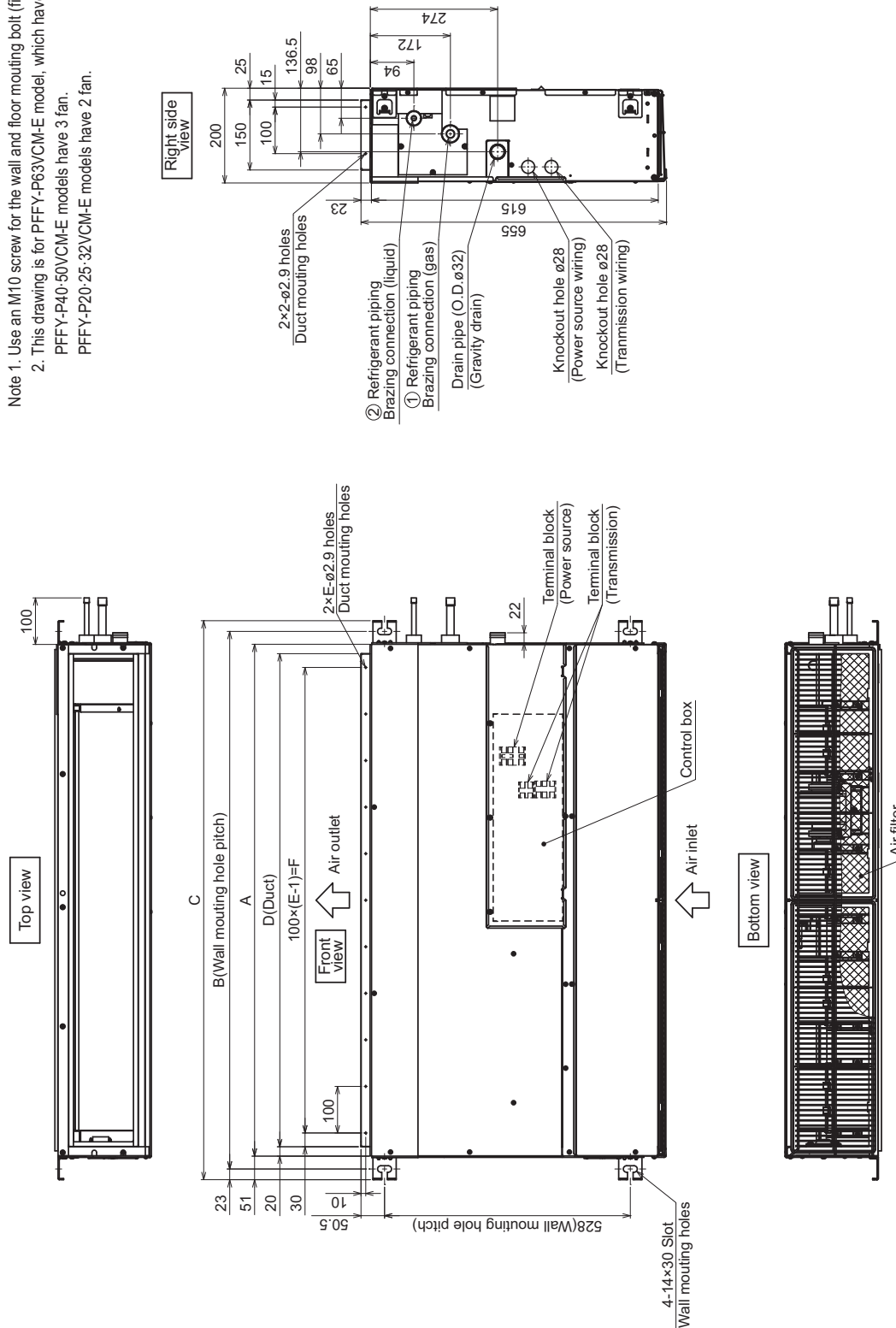


PFFY-P20, 25, 32, 40, 50, 63VCM-E Bottom suction · wall mounting

Unit: mm

- Note 1. Use an M10 screw for the wall and floor mounting bolt (field supply).
 2. This drawing is for PFFY-P63VCM-E model, which have 4 fans.
 PFFY-P40-50VCM-E models have 3 fan.
 PFFY-P20-25-32VCM-E models have 2 fan.



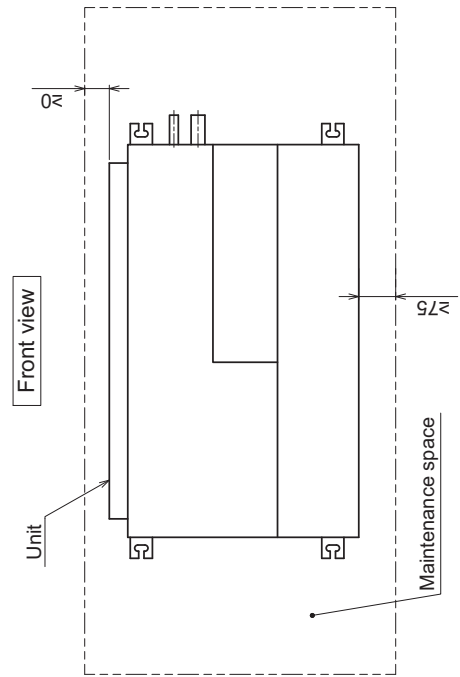
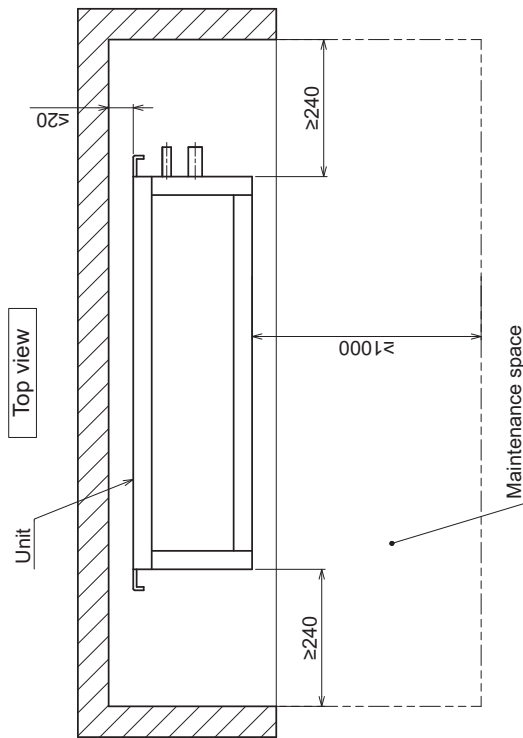
Model	A	B	C	D	E	F	① Gas pipe	② Liquid pipe
PFFY-P20-25-32VCM-E	700	756	802	660	7	600	φ12.7	φ6.35
PFFY-P40-50VCM-E	900	956	1002	860	9	800	φ12.7	φ6.35
PFFY-P63VCM-E	1100	1156	1202	1060	11	1000	φ15.88	φ9.52

PFFY-P-VCME-E

PFFY-P20, 25, 32, 40, 50, 63VCM-E Bottom suction · wall mounting

Unit: mm

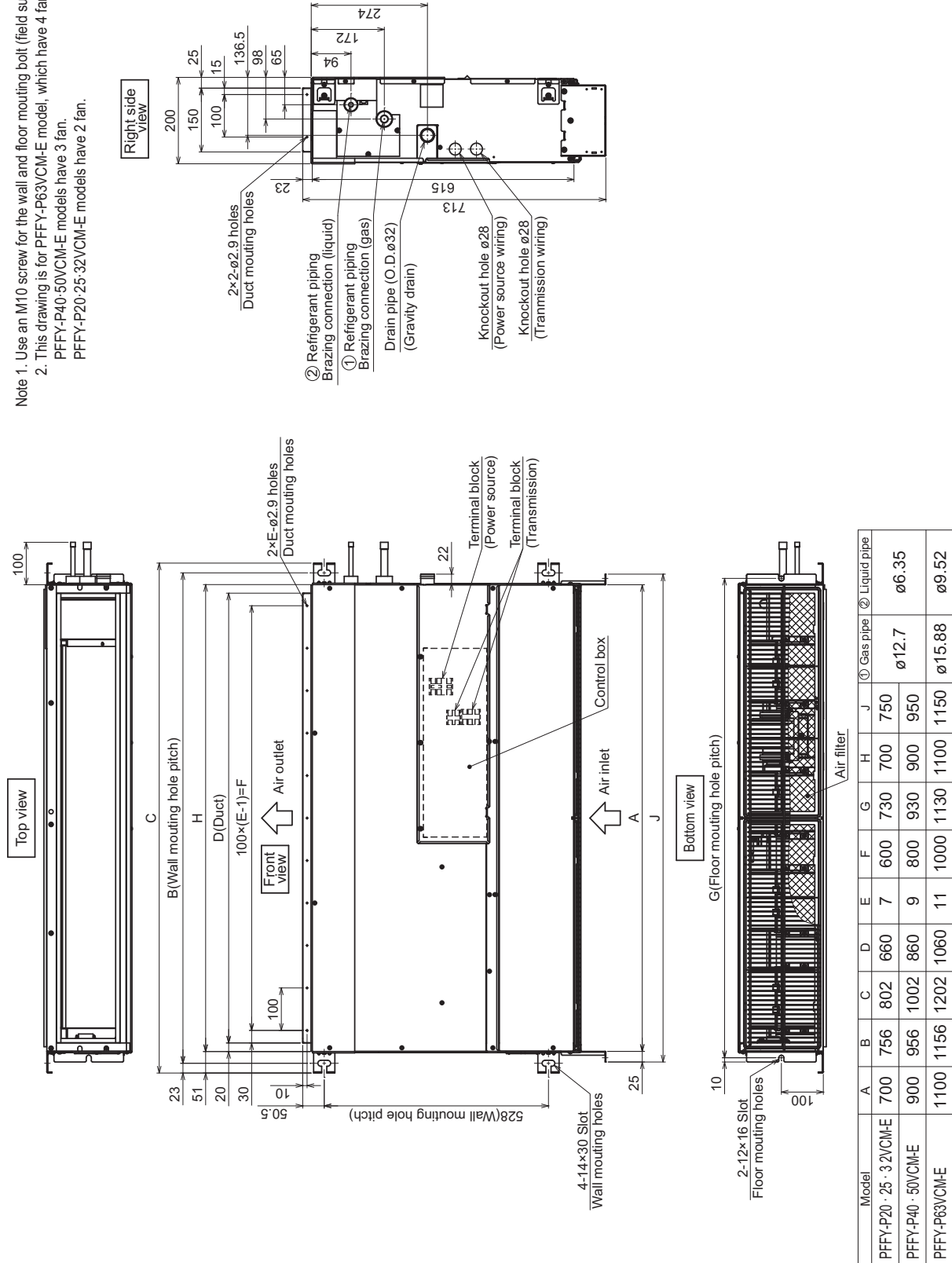
[Maintenance access space]
 Secure enough access space to allow for the maintenance, inspection,
 and replacement of the motor, fan, heat exchanger, drain pan and control box.



PFFY-P20, 25, 32, 40, 50, 63VCM-E Bottom suction · floor mounting

Unit: mm

- Note 1. Use an M10 screw for the wall and floor mounting bolt (field supply).
 2. This drawing is for PFFY-P63VCM-E model, which have 4 fans.
 PFFY-P40-50VCM-E models have 3 fan.
 PFFY-P20-25-32VCM-E models have 2 fan.

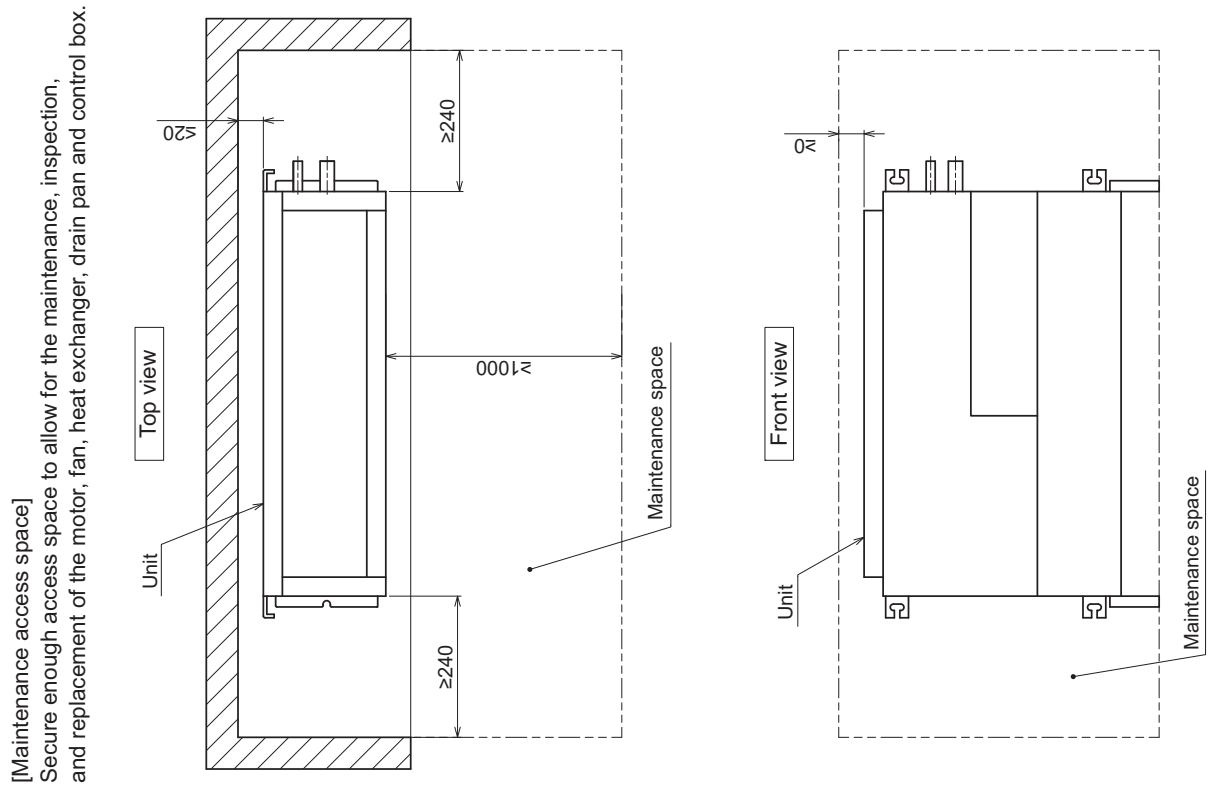


Model	A	B	C	D	E	F	G	H	J	① Gas pipe	② Liquid pipe
PFFY-P20-25-32VCM-E	700	756	802	660	7	600	730	700	750	ø12.7	ø6.35
PFFY-P40-50VCM-E	900	956	1002	860	9	800	930	900	950		
PFFY-P63VCM-E	1100	1156	1202	1060	11	1000	1130	1100	1150	ø15.88	ø9.52

PFFY-P-VCME

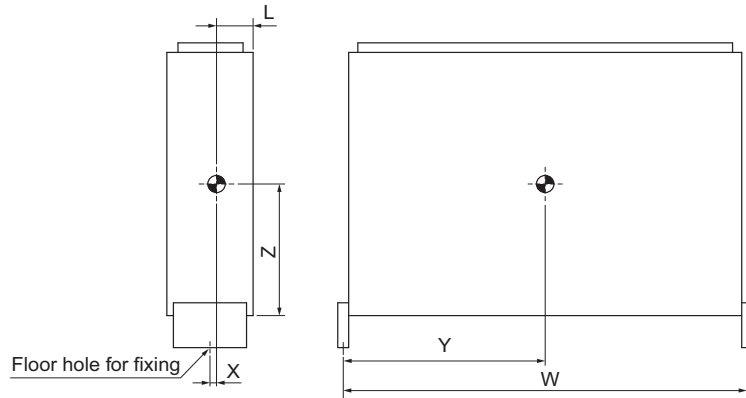
PFFY-P20, 25, 32, 40, 50, 63VCM-E Bottom suction · floor mounting

Unit: mm



PFFY-P-VCM-E

PFFY-P20, 25, 32, 40, 50, 63VCM-E



(mm) [in]

Model name	W	L	X	Y	Z
PFFY-P20VCM-E	730 [28-3/4]	95 [3-3/4]	5 [1/4]	365 [14-3/8]	290 [11-7/16]
PFFY-P25VCM-E	730 [28-3/4]	95 [3-3/4]	5 [1/4]	365 [14-3/8]	290 [11-7/16]
PFFY-P32VCM-E	730 [28-3/4]	95 [3-3/4]	5 [1/4]	365 [14-3/8]	290 [11-7/16]
PFFY-P40VCM-E	930 [36-5/8]	95 [3-3/4]	5 [1/4]	495 [19-1/2]	300 [11-13/16]
PFFY-P50VCM-E	930 [36-5/8]	95 [3-3/4]	5 [1/4]	495 [19-1/2]	300 [11-13/16]
PFFY-P63VCM-E	1130 [44-1/2]	95 [3-3/4]	5 [1/4]	615 [24-1/4]	320 [12-5/8]

PFFY-P-VCM-E