

**Data Book**



FX2-G04 0252 - 1593\_202008\_EN HFO-1234ze  
ELCA\_Engine ver.4.4.4.0

# FX2-G04 0252 - 1593

**252-1572 kW**

**Chiller, air source for outdoor installation**



**R** HFO1234ze

**SCREW**

**T** SHELL & TUBES



(The photo of the unit is indicative and may vary depending on the model)

- ✓ ErP COMPLIANT 2021
- ✓ HFO REFRIGERANT
- ✓ ALUMINIUM MICRO-CHANNEL HEAT EXCHANGERS
- ✓ WIDE OPERATING RANGE

- ✓ HIGH EFFICIENCY
- ✓ EXTREMELY SILENT OPERATION
- ✓ GROUP CONTROLS WITH DYNAMIC MASTER
- ✓ VARIABLE PRIMARY FLOW
- ✓ INTEGRATED HYDRONIC MODULE

## CERTIFICATIONS

---

### Product certifications



---

### Voluntary product certifications

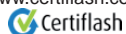


Check ongoing validity of certificate:

[www.eurovent-certification.com](http://www.eurovent-certification.com)

or

[www.certiflash.com](http://www.certiflash.com)



---

### System certifications



### MITSUBISHI ELECTRIC HYDRONICS & IT COOLING SYSTEMS S.p.A.

Quality System complying with the requirements of UNI EN ISO 9001:2008 regulation  
Environmental Management System complying with the requirements of UNI EN ISO 14001:2004 regulation  
Occupational Health and Safety Management System complying with the requirements of BS OHSAS 18001:2007

1.1	PRODUCT PRESENTATION	pg.1.1.1 / 1.1.3
2.1	INCIPIIT	pg.2.1.1 / 2.1.1
3.1	UNIT STANDARD COMPOSITION	pg.3.1.1 / 3.1.4
4.1	OPTIONS	pg.4.1.1 / 4.1.14
5.1	GENERAL TECHNICAL DATA	pg.5.1.1 / 5.1.4
6.1	TECHNICAL DATA SEASONAL EFFICIENCY IN COOLING (EN14825 VALUE)	pg.6.1.1 / 6.1.0
7.1	OPERATING LIMITS	pg.7.1.1 / 7.1.3
8.1	HYDRAULIC DATA	pg.8.1.1 / 8.1.2
9.1	ELECTRICAL DATA	pg.9.1.1 / 9.1.4
10.1	FULL LOAD SOUND LEVEL	pg.10.1.1 / 10.1.2
11.1	DIMENSIONAL DRAWINGS	pg.11.1.1 / 11.1.4
12.1	HYDRONIC GROUP	pg.12.1.1 / 12.1.13

**Liability disclaimer**

The present publication is drawn up by of information only and does not constitute an offer binding upon Mitsubishi Electric Hydronics & IT Cooling Systems S.p.A.

Mitsubishi Electric Hydronics & IT Cooling Systems S.p.A. has compiled the content of this publication to the best of its knowledge. The data contained herein are subject to change without notice. Mitsubishi Electric Hydronics & IT Cooling Systems S.p.A. explicitly rejects any liability for any direct or indirect damage, in the broadest sense, arising from or related to the use and/or interpretation of this publication. All content is copyrighted by Mitsubishi Electric Hydronics & IT Cooling Systems S.p.A.

The units highlighted in this publication contain HFO-1234ze [GWP<sub>100</sub> 7] fluorinated greenhouse gases.

**Functions**



Cooling

**Refrigerant**



HFO-1234ze

**Compressors**



Screw compressor

**Fan**



Axial fan

**Exchangers**



Shell & Tubes

**Other features**



Eurovent



VPF

## 1.1 PRODUCT PRESENTATION

### GREEN CERTIFICATION RELEVANT

Mitsubishi Electric Hydronics & IT Cooling Systems S.p.A., as a major player in the world HVAC market and a leading manufacturer of energy efficient, sustainable HVAC solutions, recognizes and supports the diffusion of green certification systems, as an effective way to deliver high performance buildings and improve the quality and the sustainability of the built environment.

Since the first certification system was introduced at the beginning of the 1990s, the demand for certified buildings has grown considerably, as well as the number of standards, rating and certification programs. Operating worldwide Mitsubishi Electric Hydronics & IT Cooling Systems S.p.A., has extensive experience with many of them and is active member of Green Building Council Italy.

Mitsubishi Electric Hydronics & IT Cooling Systems S.p.A., commitment to develop responsible and sustainable HVAC solutions, is reflected by a full range of premium efficiency products and systems, designed with special care to improve building energy performance ratings, according to major certification protocols, including LEED, BREAM, GREENSTAR, BCA, NABERS, DNGB, HQE and BEAM.

To find out more about how our products contribute to enhanced green certification rating and energy performance of a building, please refer to:

[https://www.melcohit.com/EN/Environment/green\\_certifications/](https://www.melcohit.com/EN/Environment/green_certifications/)



## PRODUCT PRESENTATION

Outdoor unit for the production of chilled water with semi-hermetic screw compressors optimized for HFO refrigerant R1234ze, axial-flow fans, micro-channel full-aluminum condensing coils, single-pass shell and tubes evaporator designed by Mitsubishi Electric Hydronics & IT Cooling Systems S.p.A. and electronic expansion valve.

Base and supporting structure and panels are made of galvanized epoxy powder coated steel with increased thickness. Eurovent certification.

Flexible and reliable unit; it easily adapts itself to different thermal load conditions thanks to the precise thermoregulation and the accurate sizing of all internal components. The compressors feature an enhanced lubrication system, an innovative internal geometry and a different control of capacity steps. Innovations that grant a remarkable performance improvement especially at partial loads.

### 1.3 ErP COMPLIANT 2021

The units comply and exceed the minimum seasonal energy efficiency requirements that will start from 2021, imposed by the eco-sustainable design Directive 2009/125/EC. The seasonal efficiency can be further raised thanks to the optional EC fans.

### 1.4 HFO REFRIGERANT

4th generation refrigerant HFO 1234ze, with negligible greenhouse effect in comparison with traditional HFC refrigerants (Global Warming Potential GWP of HFO 1234ze < 1, GWP of R134a = 1300 as per IPCC rev. 5th) and zero impact on the ozone layer.

### 1.5 ALUMINIUM MICRO-CHANNEL HEAT EXCHANGERS

The full aluminium micro-channel condenser coils deliver high efficiency while ensuring a reduced refrigerant volume and a lower unit weight. The e-coating protection (optional) grants the highest level of corrosion resistance in any condition, even in the most aggressive environments.

### 1.6 WIDE OPERATING RANGE

The accurate condensation control (variable fan speed regulation as standard on every model) and devoted kits allow the unit to operate from -10°C (-15°C with accessories) to 48°C (52°C with accessories) of outdoor air temperature and from -2°C to 18°C (20°C with accessories) of evaporator leaving water temperature.

### 1.7 HIGH EFFICIENCY

Very high efficiency at full and partial loads, at the highest market levels, thanks to the adopted technological solutions. These units ensure low operating costs and therefore a quick payback time.

### 1.8 EXTREMELY SILENT OPERATION

The silenced version provides the best combination of quietness and efficiency on the market thanks to the emphasis on minimizing noise levels during the design phase.

### 1.9 GROUP CONTROLS WITH DYNAMIC MASTER

Load sharing, sequencing, active redundancy, priority of resource activation, alarm management, these are only some of the LAN functions that the unit is able to manage when connected to a group of chillers. Besides, the system's stability is ensured even in case of alarm or malfunctioning thanks to the Dynamic Master logic.

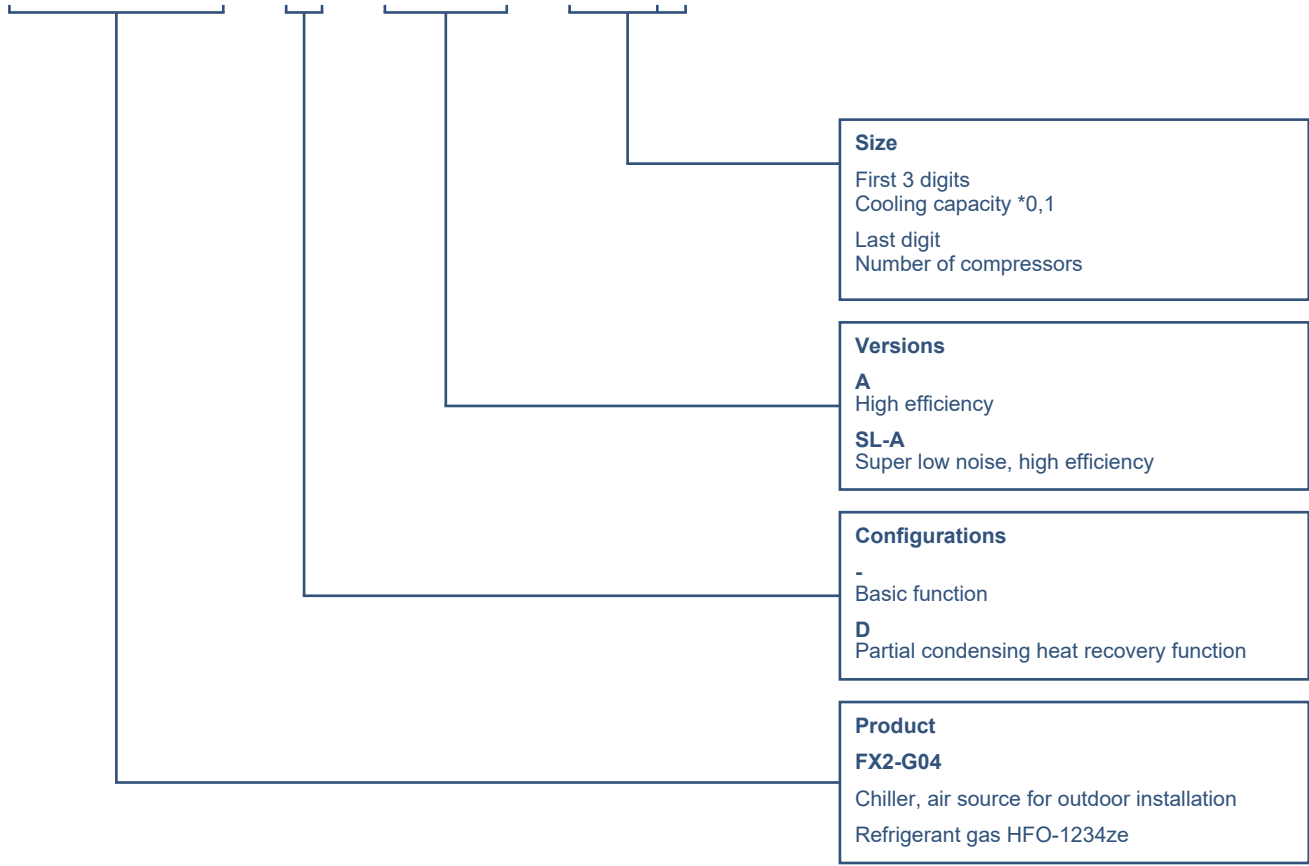
### 1.10 VARIABLE PRIMARY FLOW

Energy savings due to variable pump speed management based on load demand and the variable flow ensures the units also function in critical working conditions.

### 1.11 INTEGRATED HYDRONIC MODULE

The built-in hydronic module already contains the main water circuit components; it is available as option with twin in-line pump, for achieving low or high head, fixed or variable speed.

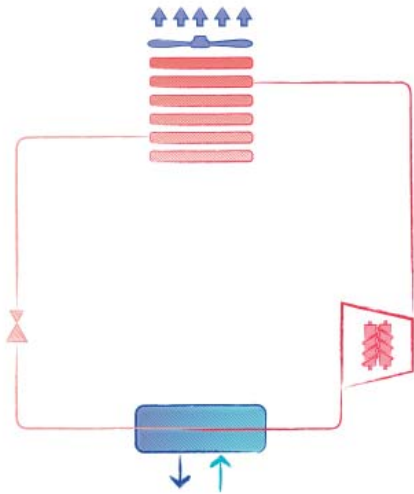
# FX2-G04 / D / SL-A / 1593



### 3.1 UNIT STANDARD COMPOSITION

#### CONFIGURATIONS

- , standard unit

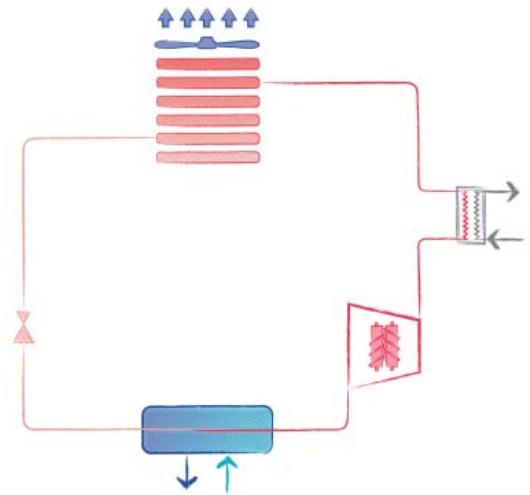
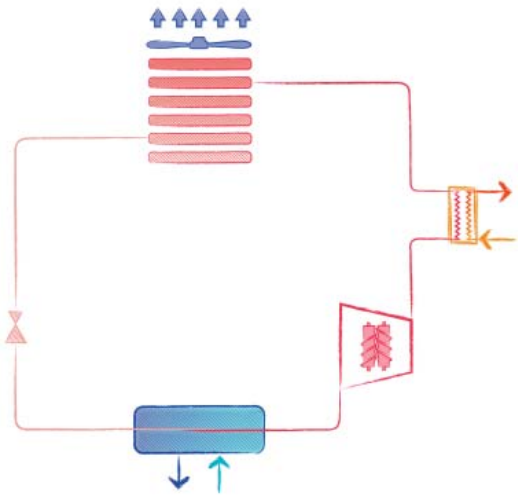


No heat recovery is possible.

#### /D, unit with partial heat recovery

Heat recovery: ON

Heat recovery: OFF (water flow stopped)



Each refrigerant circuit is fitted with a desuperheater.

The superheating heat recovery is only possible when the temperature of the hot water circuit is lower than the compressor discharge temperature. The heat recovery and its amount depends on the unit's operating conditions, in particular the outdoor air temperature and the load percentage. It is advised to interrupt the water flow to the desuperheater when the conditions for an actual heat recovery are not met.

The smart management of the desuperheater pump(s) is possible with the option 3371 D - RELAY 1 PUMP (ON/OFF), further information is available in the bulletin section dedicated to accessories.

Partial heat recovery operating limits:

	MIN temperature	MAX temperature
Inlet water	25°C (77°F)	56°C (132,8°F)
Outlet water	30°C (86°F)	60°C (140°F)



## UNIT STANDARD COMPOSITION

### 3.2 Chiller, air source for outdoor installation

Outdoor unit for the production of chilled water with semi-hermetic screw compressors optimized for HFO refrigerant R1234ze, axial-flow fans, micro-channel full-aluminum condensing coils, single-pass shell and tubes evaporator designed by Mitsubishi Electric Hydraulics & IT Cooling Systems S.p.A. and electronic expansion valve.

Base and supporting structure and panels are made of galvanized epoxy powder coated steel with increased thickness. Eurovent certification.

Flexible and reliable unit; it easily adapts itself to different thermal load conditions thanks to the precise thermoregulation and the accurate sizing of all internal components. The compressors feature an enhanced lubrication system, an innovative internal geometry and a different control of capacity steps. Innovations that grant a remarkable performance improvement especially at partial loads.

### 3.3 Installation note

The unit is supplied fully refrigerant charged and factory tested. On site installation only requires power and hydraulic connection.

### 3.4 Structure

Structure specifically designed for outdoor installation. Base and frame in hot-galvanized steel sheet of suitable thickness. All parts polyester-powder painted to assure total weather resistance. Painting: RAL 7035 textured finish.

### 3.5 Refrigerant circuit

Unit designed with separate and independent refrigerant circuits in order to ensure continuous operation and easy maintenance. In addition to the main components described in the following sections, each refrigerant circuit is fitted as standard with:

- electronic expansion valve
- high and low pressure transducers
- visualization of the pressure's level directly from the controller's interface
- safety switching device for limiting the pressure
- high and low pressure safety valve
- liquid line shut-off device (function performed by electronic expansion valve with ultracap)
- non -return valve in compressor's discharge line integrated in the compressor
- compressor's discharge valve
- liquid line shut-off valve
- refrigerant line sight glass with humidity indicator
- drier filter with replaceable cartridge
- economizers on the following models:  
0352 (A, SL-A); 0572 (A, SL-A); 0972 (A, SL-A); 1152 (A, SL-A); 1503 (A, SL-A); 1593 (A, SL-A)

### 3.6 Compressor

CSC screw-compressors designed according to Mitsubishi Electric Hydraulics & IT Cooling Systems S.p.A. specifications and for its exclusive use.

Semi-hermetic screw compressors with 2 five- and six-lobe rotors: the five-lobe rotor is splined directly onto the motor (nominal speed 2950 rpm) without the use of interposed gears.

The bearings provided along the rotor axis are housed in a separate chamber, isolated from the compression chamber. Made of carbon steel, the bearings are granted for a lifetime of 150.000 hours.

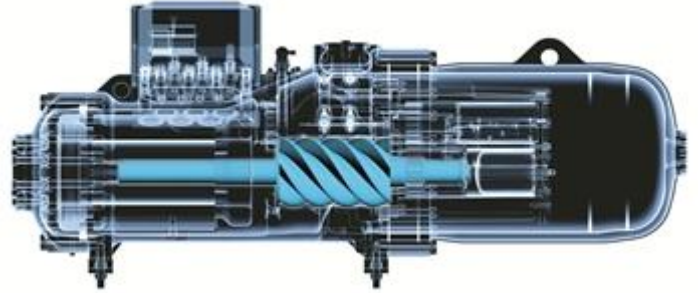
Each compressor is provided with an inlet for refrigerant injection (for the extension of operating limits) and the use of the economizer (for the output capacity and efficiency's increase).

Optimized lubrication guarantees oil's distribution between mechanical parts, without using an oil pump. The innovative oil management valve greatly enhances the lubrication system by reducing the oil quantity and allowing a remarkable increase of the compressor efficiency at partial load. The built-in oil separator has 3 stages of separation, and a 10 mm stainless steel mesh filter ensures the constant presence of oil inside.

Innovative mechanic design with inner slider, managed according to specific proprietary parameters, for the variation of  $V_i$  depending on the different operating conditions. This allows to adjust the cooling capacity of the compressor from 100% to 40% (data referred to the operating conditions: 7°C of leaving water temperature, 35°C of outdoor air temperature) always achieving maximum efficiency, even in case of considerable load partialization.

The two pole motors are fitted as standard with electric devices to limit the absorbed current during compressor start-up, and with empty start-up. Each compressor is fitted with manual-reset motor thermal protection, delivery gas temperature and oil level controls and an electric resistance for the carter's heating while the compressor is stopped. A check valve fitted on the refrigerant delivery line prevents the rotors from reversing after stopping. On-off cocks on the delivery line of each compressor to

isolate the refrigerant charge in the heat exchanger when required.



### 3.7 Plant side heat exchanger

Dry expansion type shell and tube heat exchanger; it acts as an evaporator with refrigerant flow inside the pipes and water flow on the shell side. Fully developed and manufactured by Mitsubishi Electric Hydraulics & IT Cooling Systems S.p.A., the heat exchanger is a single pass type to provide almost perfect countercurrent heat exchange. The water flow on the shell side is fitted with baffles to increase turbulence and therefore the efficiency of exchange. The steel shell has insulation lining made of flexible closed cells elastomeric foam (thermal conductivity 0.033W/mK at 0°C) coupled with 3 mm layer of crosslinked PE foam with a surface film of embossed PE for a total thickness of 9 mm. The tube nest is manufactured using copper tubes with internal grooves to improve heat exchange and each pipe is mechanically expanded onto the tube plates. The heat exchanger is fitted with a differential pressure switch which controls the flow of water when the unit is working, in this way preventing the formation of ice inside; when pumps stop, the antifreeze control is up to an electrical resistance. The heat exchanger is made in compliance with PED standard work pressure requisites. Upon request, the heat exchanger can be supplied AS1210 compliant or with the SafeWork NSW certificate, depending on the size. For the size 1243 (versions A, SL-A), the AS1210 heat exchanger has another trademark.

### 3.8 Source side heat exchanger

Microchannel coils ideally positioned on a "V" block structure to optimize airflow and heat transfer. Made entirely in aluminum, the coils are not subjected to galvanic corrosion.

Fins and manifolds are made of aluminum AA3003 while the channels are made of a new aluminum alloy so defined Long Life Alloy (LLA). LLA alloy has a very fine grain microstructure that guarantees higher mechanical properties and a higher resistance to the inter-granular corrosion.

Channel small section favor refrigerant fluid turbulence, which enhances the heat exchange. Tube geometry maximize the surface touched by the air, thus allowing compact dimension and refrigerant charge reduction.

### 3.9 Fan section source side

Axial electric fans, protected to IP 54 and with insulation class 'F', featuring an external rotor and profiled blades. Housed in an aerodynamic hood complete with safety guard. The fan + outlet set satisfies the efficiency requirements provided for by EcoDesign directive 327/11.

6-pole electric motor with built-in thermal protection. Variable Speed Device (DVVF) for controlling condensation by adjusting the speed of rotation with voltage steps (auto-transformer), fitted with a ventilation distribution system in case of external air low temperature. In conformity with the adjustment logic, each condenser circuit has a totally independent ventilation system.

### 3.10 Super Low noise version features

The Super Low noise units (version SL-A) feature:

- Condensing section larger than the corresponding standard version's one (only some sizes)
- Reduced fan speed (the speed is automatically increased in case of particularly tough environmental conditions).
- Compressor enclosure with a special soundproofing insulation (multilayer lining of polyurethane foam and sound-insulating gaiter, total thickness 30 mm)
- Covering of the exposed pipes between the V-blocks with painted metal sheets with a special soundproofing insulation (multilayer lining of polyurethane foam and sound-insulating gaiter, total thickness 30 mm)
- If the hydronic is present, the pump enclosure is acoustically insulated by a 30 mm thick lining of polyester fibres (Fiberform)

### 3.11 Electrical and control panel

Electrical and control panel built in accordance with EN60204-1 standard, complete with:

-

## UNIT STANDARD COMPOSITION

- general door lock isolator
- control circuit transformer
- IP44 protection
- power circuit with electric bus bar distribution system
- spring-type control circuit terminal board
- forced ventilation of the electrical board
- phases sequence control
- relays for voltage monitoring
- fuses and contactors for compressors and fans
- compressors protection with internal thermal overload
- electronic controller
- remote ON/OFF terminals
- terminals for cumulative alarm block
- Power supply 400V/3ph/50Hz
- Part-winding compressor start-up for sizes from 0252 to 0352 versions A, SL-A. Star-delta start-up for all other sizes.
- Pump control relay + 0-10V modulating signal to control an external variable speed pump with the VPF.E control logic (plant-side constant  $\Delta T$  for plants with primary circuit only and terminals with bypass)

### 3.12 Certification and applicable directives

The unit complies with the following directives and relative amendments:

- EUROVENT Certification program
- CE Declaration of conformity certificate for the European Union
- EAC Product quality certificate for Russian Federation
- M&I Product quality certificate for Australia and New Zealand
- Machine directive 2006/42/EC
- PED Directive 2014/68/EC
- Low Voltage directive 2006/95/EC
- ElectroMagnetic compatibility directive 2004/108/EC
- ErP Directive 2009/125/EC
- ISO 9001 Company's Quality Management System certification
- ISO 14001 Company's Environmental Management System certification

### 3.13 Tests

Tests performed throughout the production process, as indicated in ISO9001.

Performance or noise tests can be performed by highly qualified staff in the presence of customers.

Performance tests comprise the measurement of:

- electrical data
- water flow rates
- working temperatures
- power input
- power output
- pressure drops on the water-side exchanger both at full load (at the conditions of selection and at the most critical conditions for the condenser) and at part load conditions.

During performance testing it is also possible to simulate the main alarm states.

Noise tests are performed to check noise emissions according to ISO9614.

### 3.14 Electronic control W3000+

W3000+ control is available with the new KIPLink (Keyboard In your Pocket) user interface. Based on WiFi technology, it allows one to operate on the unit directly from the smartphone or tablet. Using KIPLink, it is possible to turn the unit on and off, adjust the set-point, plot the main operating variables, monitor in detail the status of the refrigerant circuits, the compressors, the fans and the pumps (if present) and display and reset the possible alarms. The regulation features the continuous modulation of capacity, based on sequential adjustment + DIP referring to the leaving water temperature. Diagnostics include complete alarm management, with "blackbox" functions (via PC) and alarm log (display or PC) for best analysis of unit behaviour. The built-in clock can be used to create an operating profile containing up to 4 typical days and 10 time bands, essential for efficient programming of energy production. Optional proprietary devices can perform the adjustment of the resources in systems made of several units. Consumption metering and performance measurement are possible as well. The variable primary flow control is always available as per standard (VPF.E function). Supervision is available with different options, using proprietary devices or by integration into third party systems using ModBus, BACnet, BACnet-over-IP and Echelon LonWorks protocols. A dedicated wall-mounted keypad can be used for remote control of all the functions.



### 3.14 LAN Multi Manager

Up to 8 units (chillers or free-cooling chillers, with the same firmware version) can communicate via serial connection.

All the group functions are implemented with master/slave logic, with dynamic master.

Hereunder is a brief description of the main group functions, further details are available in the dedicated user manual.

#### - Load management

There are two possible load management logics: load sharing and sequencing.

- Load sharing: the load is distributed equally among the active units of the group.

- Sequencing: the units are activated one after the other. When the first unit is saturated (all the available resources are used), the second unit is activated, and so forth until the load is fully covered.

#### - Dynamic master

In case of disconnection of the master unit, a new master is automatically elected among the other units, and the group functions remain active. The dynamic master function grants a backup solution to the net, overcoming the single point of failure typical of the static master architecture. Besides, it is possible to set the "master succession priority": in case of the master unit disconnection, the new master is elected among the units set as priority.

#### - Stand-by unit management

It is possible to set the number of unit that remain in stand-by, the load will be managed (with load sharing or sequencing) among the other units of the group. The stand-by unit rotation is automatic, according to the running hours equalization. A stand-by unit is immediately activated in case of total failure or disconnection of one of the active units of the group, or in case the water temperature exceeds the safety threshold.

#### - Restart in sequence

After a power black-out, this group function coordinates the compressor activation time of the different units and prevents from dangerous current picks due to simultaneous start-ups. Besides, it is possible to set the activation sequence of the units.

#### - Resource priority management

To make the most of the available cooling resources, it is possible to set the usage priority of each unit. The load management function will be adjusted accordingly. When available, the free-cooling is always given priority and is fully exploited before activating any compressor. Then the activation of the compressors follows the priority level assigned to the units.

## UNIT STANDARD COMPOSITION

### - Auxiliary input

The auxiliary inputs are applied at a group level:

- 4-20 mA: remote set-point adjustments (analog input).
- Double set-point: remote switch between 2 set-points (digital input).
- Demand limit: remote signal to limit the unit's activable resources (digital input).

### 3.15 Versions

#### **/A - High efficiency**

High efficiency units with minimum investment payback time. High performing heat exchangers and generous heat exchanger surfaces.

#### **/SL-A - Super low noise, high efficiency**

High efficiency units for the minimum investment payback time. High performing heat exchangers and generous heat exchanger's surfaces.

This version features a special soundproofing for the compressor compartment and the pumps (if present), a reduced fan speed and an oversized condensing section.

The fan speed is automatically increased in case of particularly tough environmental conditions.

### 3.16 Configurations

#### **- , standard unit**

Standard unit for production of chilled water

#### **/D, unit with partial heat recovery**

Unit for the production of chilled water, equipped with an auxiliary heat exchanger (desuperheater) on the compressor discharge for superheat recovery.

#### 4.1 OPTIONS

OPTIONS	DESCRIPTIONS	BENEFITS	AVAILABLE FOR MODELS
<b>1020 REGULATIONS</b>			
1015 HEAT EXCHANGERS NSW CERTIFIED	Heat exchangers with SafeWork NSW certificate		ALL
1016 UNIT WITH PED RULES	Unit according to PED (Pressure Equipment Directive) rules		ALL
1019 HEAT EXCHANGERS AS1210 CERTIFIED	Heat exchangers AS1210 compliant (Australia Standard)		ALL
<b>380 NUMBERED WIRING</b>			
381 NUMBERED WIRING ON EL. BOARD	Electrical board wires are identified by numbered labels. The reference numbers are indicated in the unit's wiring scheme.	Facilitate maintenance interventions to the electrical board connections.	ALL
383 NUMBERED WIRINGS+UK REQUESTS	Electrical board wires are identified by numbered labels. The reference numbers are indicated in the unit's wiring scheme.	Facilitate maintenance interventions to the electrical board connections.	ALL
<b>3300 COMPRESSOR REPHASING</b>			
3301 COMPR.POWER FACTOR CORR.	Capacitors on the compressors' power inlet line.	The unit's average cos(phi) increases.	ALL
<b>1510 SOFT-STARTER</b>			
1511 UNIT WITH SOFT-START	Electronic device adopted to manage the inrush current.	Break down of the inrush current compared to the direct motor start, lower motor windings' mechanical wear, avoidance of mains voltage fluctuations during starting, favourable sizing for the electrical system.	ALL
1513 UNIT WITH 3-PHASE SOFT-START	Electronic device adopted to manage the inrush current. The device controls the 3 phases.	Break down of the inrush current compared to the direct motor start, lower motor windings' mechanical wear, avoidance of mains voltage fluctuations during starting, favourable sizing for the electrical system.	ALL
<b>3410 AUTOMATIC CIRCUIT BREAKERS</b>			
3412 AUTOM. CIRCUIT BREAK. ON LOADS	Over-current switch on the major electrical loads.	In case of overcurrent allows resetting of the switch without the replacement of relative fuses.	ALL
<b>3600 COMPRESSOR RUN STATUS SIGNAL</b>			
3601 COMPRESSOR OPERATION SIGNAL	Auxiliary contacts providing a voltage-free signal.	Allows remote signalling of compressor's activation or remote control of any auxiliary loads.	ALL
<b>4180 REMOTE CONNECTION ARRANGEMENT</b>			
4181 SERIAL CARD MODBUS	Interface module for ModBUS protocols.	Allows integration with BMS operating with ModBUS protocol.	ALL
4182 SERIAL CARD FOR LONWORKS	Interface module for Echelon systems.	Allows integration with BMS operating with LonWorks protocols	ALL
4184 SERIAL CARD BACNET MS/TP RS485	Interface module for BACnet protocols.	Allows integration with BMS operating with BACnet protocol.	ALL
4185 SERIAL CARD FOR BACNET OVER IP	Interface module for BACnet OVER-IP protocols.	Allows to interconnect BACnet devices over Internet Protocol within wide-area networks.	ALL
4186 SERIAL CARD FOR KONNEX	Protocol for KNX system	Allows integration with BMS operating with KNX protocol	ALL

## OPTIONS

OPTIONS	DESCRIPTIONS	BENEFITS	AVAILABLE FOR MODELS
4187 M-Net W3000 INTERFACE KIT	Interface kit for M-Net protocol.	Interface module to allow the integration of the unit with Mitsubishi Electric proprietary communication protocol M-Net.	ALL
4188 SERIAL CARD MODBUS TCP/IP	Interface module for ModBus TCP/IP protocol	Allows integration with BMS operating with ModBus TCP/IP protocol.	ALL
4189 SERIAL CARD SNMP	Interface module for SNMP protocol	Allows integration with BMS operating with SNMP protocol.	ALL
<b>6160 AUXILIARY INPUT</b>			
6161 AUXILIARY SIGNAL 4-20mA	4-20 mA analog input	Allows to change the operating set-point according to the value of current applied to the analogue input.	ALL
6162 REMOTE SIGNAL DOUBLE SP	Allows to activate the Energy Saving set-point.	Allows to change the operating set-point according to a remote switch	ALL
<b>6170 DEMAND LIMIT</b>			
6171 INPUT REMOTE DEMAND LIMIT	Digital input (voltage free)	It permits to limit the unit's power absorption for safety reasons or in temporary situation.	ALL
<b>1470 MULTIFUNCTION CARD</b>			
1431 NIGHT MODE	The option includes a related controller expansion board and dedicated terminal block.	Night mode is a system setting to limit maximum noise level of the unit. Noise level is reduced limiting maximum compressor frequency and fan speed.	ALL
1471 4951 + 1431	The option includes a related controller expansion board and dedicated terminal block.	Enables the functions corresponding to the indicated accessory codes.	ALL
1472 4951 + 1431 + 4961	The option includes a related controller expansion board and dedicated terminal block (it is necessary to install a 3 way valve).	Enables the functions corresponding to the indicated accessory codes.	ALL
1473 4951 + 4961	The option includes a related controller expansion board and dedicated terminal block (it is necessary to install a 3 way valve).	Enables the functions corresponding to the indicated accessory codes.	ALL
1474 1431 + 4961	The option includes a related controller expansion board and dedicated terminal block (it is necessary to install a 3 way valve).	Enables the functions corresponding to the indicated accessory codes.	ALL
1475 4962 + 4951	The option includes a related controller expansion board and dedicated terminal block (it is necessary to install a 3 way valve).	Enables the functions corresponding to the indicated accessory codes.	ALL
1476 4962 + 1431	The option includes a related controller expansion board and dedicated terminal block (it is necessary to install a 3 way valve).	Enables the functions corresponding to the indicated accessory codes.	ALL
1477 4962 + 4951 + 1431	The option includes a related controller expansion board and dedicated terminal block (it is necessary to install a 3 way valve).	Enables the functions corresponding to the indicated accessory codes.	ALL
4951 WITH HYDRAULIC DECOUPLER PROBE	Water temperature probe on hydraulic decoupler.	The pump activation can be set by parameter according to the water temperature on buffer tank measuring by the sensor (in the systems with the primary and secondary circuits separated by a hydraulic decoupler), thus bringing significant pump consumption reduction during unit's stand-by.	ALL

## OPTIONS

OPTIONS	DESCRIPTIONS	BENEFITS	AVAILABLE FOR MODELS
4961 U.L.C.F. - WITH OR WITHOUT FIX SPEED PUMP	Option to be selected with the unit without pump/s or with fix speed pump/s (4703,4706,4707,4711,4712). The option includes a related controller expansion board and dedicated terminal block.	Guaranteed the start-up of the units with the option U.L.C. even when the critical working condition could generate an alarm. The W3000+ controller can manage a 3 way mixing valve (not provided from MEHITS) by 0-10V signal for ensuring a dynamic control of the water temperature on user heat exchanger according to the operating limits allowed. This ensures the start-up and correct functioning of the unit into the envelope, also even critical whether condition.	ALL
4962 U.L.C.F. - WITH VARIABLE WATER FLOW	Option to be selected with the unit with variable speed pump/s (4713,4714,4717,4718,4722,4723). The option includes a related controller expansion board and dedicated terminal block.	Guaranteed the start-up of the units with the option U.L.C. even when the critical working condition could generate an alarm. The W3000+ controller can manage a 3 way mixing valve (not provided from MEHITS) by 0-10V signal for ensuring a dynamic control of the water temperature on user heat exchanger according to the operating limits allowed. This ensures the start-up and correct functioning of the unit into the envelope, also even critical whether condition.	ALL
<b>1440 USER INTERFACE</b>			
1442 KIPLink +7 INCH TOUCH SCREEN	In addition to KIPLink, the innovative user interface based on WiFi technology, the unit is equipped with the Touch interface, with a 7" WVGA colour display and a front USB port (WARNING: with outdoor temperature below 0°C the display response time may visibly increase).		ALL
1444 KIPLink + LARGE KEYBOARD	The unit is equipped with KIPLink, the innovative user interface based on WiFi technology, and, in addition, the physical LCD keyboard.		ALL
6194 LARGE KEYBOARD	The unit is equipped with the Large keyboard with a wide LCD display and led icons.		ALL
6195 7 INCH TOUCH SCREEN	The unit is equipped with the Touch interface, with a 7" WVGA colour display and a front USB port (WARNING: with outdoor temperature below 0°C the display response time may visibly increase).	The touch-screen's technology is characterized by an easy-to-access data, and it allows an effective graphical representation of the main figures protecting the access through 3 privilege levels.	ALL
6196 KIPLink	The unit is equipped with KIPLink, the innovative user interface based on WiFi technology		ALL
<b>3420 LIGHTS ON ELECTRIC BOARD</b>			
3422 LIGHTS EL. BOARD+POWER SOCKET	230V power socket in the electrical board, CEE 7/3 type (Schuko). The maximum power available is 500VA. Electrical board equipped with lights.	It allows to power small electrical/electronic devices (lights, notebooks, tablets, etc.) during maintenance operations. The interior lighting simplifies maintenance and operations to the electrical panel.	ALL
<b>3390 ANTICONDENSATE HEATER EL.BOARD</b>			
3391 ELECTRIC HEATER ON EL. BOARD	Electrical heater fed directly from the unit, is automatically activated at temperatures internal QE below 30 ° C (off state at T higher than 40 ° C).	It avoids the risk of humidity condensation on the electrical panel.	ALL

## OPTIONS

OPTIONS	DESCRIPTIONS	BENEFITS	AVAILABLE FOR MODELS
<b>5920 MANAGEMENT &amp; CONTROL SYSTEMS</b>			
5922 ClimaPRO ModBUS RS485 - MID	This option includes the following devices on-board the unit panel: - MID certified network analyzer operating on ModBUS over RS-485 - Current transformers - Software release LA09 or later version.	This accessory allows to acquire the electrical data and the power absorbed by the unit and communicate with ClimaPRO via high level communication interface based on ModBUS over EIA RS-485. More specifically, the data collected are: power supply, current, frequency, power factor ( $\cos\phi$ ), electrical power consumption, energy consumption. This specific energy meter model is MID certified and can therefore be used for billing applications. This option also ensures the compatibility between the units and ClimaPRO, thus allowing ClimaPRO to acquire all the main unit's operating variables and status by means of a high level communication interface to the controller installed onboard the unit panel.	ALL
5923 ClimaPRO BacNET over IP	This option includes the following devices on-board the unit panel: - network analyzer operating on BACnet over IP - Current transformers - Software release LA09 or later version.	This accessory allows to acquire the electrical data and the power absorbed by the unit and communicate with ClimaPRO via high level communication interface based on BACnet over IP. More specifically, the data collected are: power supply, current, frequency, power factor ( $\cos\phi$ ), electrical power consumption, energy consumption. This network analyzer is not MID certified and cannot therefore be used for billing applications. This option also ensures the compatibility between the units and ClimaPRO, thus allowing ClimaPRO to acquire all the main unit's operating variables and status by means of a high level communication interface to the controller installed onboard the unit panel.	ALL
5924 ENERGY METER FOR BMS	This option includes the following devices on-board the unit panel: - network analyzer with display operating on ModBUS protocol over RS-485 (without certification MID) - current transformers.	This accessory allows to acquire the electrical data and the power absorbed by the unit and send them via RS-485 bus to the BMS for energy metering.	ALL
5925 ENERGY METER FOR W3000	This option includes all following devices on-board the unit panel: - network analyzer with display, already cabled to unit's controller - current transformers.	This option allows to acquire the electrical data and the power absorbed by the unit. The figures are accessible through the unit's W3000 interface, and be sent to the BMS via several protocols by selecting the dedicated serial card in the option list.	ALL
<b>3430 REFRIGERANT LEAK DETECTOR</b>			
3431 REFRIG. LEAK DETECTOR	Refrigerant leak detection system, supplied factory mounted and wired in the electrical board. In case of leak detection it will raise an alarm.	It promptly detects gas leakages	ALL
3433 GAS LEAK CONTACT + COMPR. OFF	Refrigerant leak detection system, supplied factory mounted and wired in the electrical board. In case of leak detection it will raise an alarm and stop the unit.	It promptly detects gas leakages and stops the unit	ALL
<b>820 FAN CONTROL</b>			
808 EC FANS	Electronically commutated fans (EC fans). The brushless motor, governed by a special controller, continuously adjust fans' speed.	Reduced energy consumption and minimized current's absorption during start-up phase. The efficiency is increased by approximately: +1% of EER and +4/5% of ESEER. The noise reduces proportionally to the unit's partialization.	ALL

## OPTIONS

OPTIONS	DESCRIPTIONS	BENEFITS	AVAILABLE FOR MODELS
818 OVERSIZED EC FANS	Fans with oversized EC motor	Extends the operating limits of the unit. Further information in the dedicated databook section.	ALL
<b>1950 HIGH TEMPERATURE DEVICE</b>			
1955 KIT HT	Kit to increase the unit's operating range.	Full load operation is guaranteed up to over 50°C of outdoor temperature (the limit depends on the unit version, further details are available in the operating limit section). In case of outdoor air temperature higher than 53°C, some additional cooling equipment for the electrical panel could be necessary (please refer to our sales department for assessment and quotation).	ALL
<b>1960 PRESSURE RELIEF VALVES</b>			
1961 DUAL RELIEF VALVES WITH SWITCH	Dual relief valve with switch	Allows to unselect a relief valve in order to service the unit avoiding medium or long inoperative periods	ALL
<b>1400 HP AND LP GAUGES</b>			
1401 HP AND LP GAUGES	High and low pressure gauges	Allows immediate reading of the pressure values on both low and high pressure circuits	ALL
<b>1900 COMPRESSOR SUCTION VALVE</b>			
1901 COMPRESSOR SUCTION VALVE	Shut-off valve on compressor's suction circuit.	Simplifies maintenance activities	ALL
<b>870 OPERATION RANGE UNIT</b>			
871 NEGATIVE FLUID TEMPERATURE	Compressor's liquid injection	It permits the compressor works properly with high compression efficiency with negative evaporator leaving temperature	ALL
<b>2880 EVAPORATOR WATER DELTA 10°C</b>			
2881 EVAPORATOR FOR DELTA T>8°C	Evaporator dedicated to work with low primary circuit waterflow.	The heat exchange takes place under efficient conditions and the favorable sizing of primary pumps allows a considerable pumping energy saving.	ALL
<b>2630 INSULATION ON EXCHANGERS</b>			
2631 DOUBLE INSULATION ON EXCHANGERS	Thermal insulation in closed-cell flexible elastomeric foam (FEF) of 16 mm coupled with a 3 mm layer of reticulated foam in PE and an exterior embossed finishing PE film. This option is mandatory if the unit is supposed to work with outdoor temperature below -10°C.	Reduces heat losses and prevent from condensate problems.	ALL
2633 DOUBLE INSULATION ON EXCH+PIPES+PUMPS	Thermal insulation on heat exchangers in closed-cell flexible elastomeric foam (FEF) of 16 mm coupled with a 3 mm layer of reticulated foam in PE and an exterior embossed finishing PE film. Thermal insulation on pumps and pipes in closed-cell reticulated foam in PE of 20 mm. This option is mandatory if the unit is supposed to work with outdoor temperature below -10°C.	Reduces heat losses and prevent from condensate problems.	ALL



**OPTIONS**

OPTIONS	DESCRIPTIONS	BENEFITS	AVAILABLE FOR MODELS
<b>990 CONDENSING COIL</b>			
876 E-COATING MICROCHANNEL COILS	The heat exchanger is completely treated by electrolysis so as to create a protective layer of epoxy polymer on the surface, with the following characteristics: - over 3120 hours of salt spray protection as per ASTM G85-02 A3 (SWAAT); - polyurethane surface protection against UV rays.	Provides a very high resistance against corrosion, also in very aggressive environments. For further information please refer to the Guidelines "Finned coil heat exchangers and protection against corrosion", available in the download section of the website <a href="http://www.melcohit.com/EN/Download/Corporate/">www.melcohit.com/EN/Download/Corporate/</a> or contact our sales department.	ALL  GUIDELINES
<b>4700 EV - HYDRONIC MODULE</b>			
4711 EV - 2 PUMPS 2P LH (FIX SPEED)	Evaporator hydronic module, compatible with constant flow control. The unit is provided with 2 fixed speed pumps, with 2-pole motor. Residual head of 100 kPa approximately. The pumps are controlled in duty/standby, with running hours equalization and changeover on device failure. Specifications and characteristic curves are available in the dedicated bulletin section.	The hydronic module includes the pumps and the main water circuit components, thus optimizing hydraulic and electrical installation space, time and costs.	ALL
4712 EV - 2 PUMPS 2P HH (FIX SPEED)	Evaporator hydronic module, compatible with constant flow control. The unit is provided with 2 fixed speed pumps, with 2-pole motor. Residual head of 200 kPa approximately. The pumps are controlled in duty/standby, with running hours equalization and changeover on device failure. Specifications and characteristic curves are available in the dedicated bulletin section.	The hydronic module includes the pumps and the main water circuit components, thus optimizing hydraulic and electrical installation space, time and costs.	ALL
4713 EV - RELAY 1 PUMP + 0-10V SIG	Evaporator hydronic module, compatible with constant or variable flow control. The unit is provided with 1 relay and a 0-10V signal terminal to control the activation and the speed of 1 external variable speed pump.	The hydronic module controls the external pumps with the unit controller logic.	ALL
4714 EV - RELAY 2 PUMPS + 0-10V SIG	Evaporator hydronic module, compatible with constant or variable flow control. The unit is provided with 2 relays and a 0-10V signal terminal to control the activation and the speed of 2 external variable speed pump. The pumps are controlled in duty/standby, with running hours equalization and changeover on device failure.	The hydronic module controls the external pumps with the unit controller logic.	ALL
4722 EV - 2 PUMPS 2P LH (VAR SPEED)	Evaporator hydronic module, compatible with constant or variable flow control. The unit is provided with 2 variable speed pumps, with 2-pole motor. Residual head of 100 kPa approximately. The pumps are controlled in duty/standby, with running hours equalization and changeover on device failure. Specifications and characteristic curves are available in the dedicated bulletin section.	The hydronic module includes the pumps and the main water circuit components, thus optimizing hydraulic and electrical installation space, time and costs.	ALL
4723 EV - 2 PUMPS 2P HH (VAR SPEED)	Evaporator hydronic module, compatible with constant or variable flow control. The unit is provided with 2 variable speed pumps, with 2-pole motor. Residual head of 200 kPa approximately. The pumps are controlled in duty/standby, with running hours equalization and changeover on device failure. Specifications and characteristic curves are available in the dedicated bulletin section.	The hydronic module includes the pumps and the main water circuit components, thus optimizing hydraulic and electrical installation space, time and costs.	ALL

**OPTIONS**

OPTIONS	DESCRIPTIONS	BENEFITS	AVAILABLE FOR MODELS
<b>4860 EV - PRIMARY FLOW CONTROL</b>			
4861 EV - CONSTANT FLOW	Evaporator water flow control (plant primary circuit): constant flow. Compatible with hydronic modules without regulation devices (no pumps, no contacts), with ON/OFF regulation devices (relays) or with fixed speed pumps (codes: 4701, 4702, 4703, 4704, 4705, 4706, 4707, 4708, 4709, 4711, 4712 - hydronic modules availability depends on unit model).	The unit is set up to operate with a constant water flow in the heat exchanger (plant primary circuit). This is the only option available in case of unit without any water flow regulation devices (no pumps, no contacts), which means with water flow control provided by others. In case of unit with ON/FF regulation devices or fixed speed pumps, the unit controller manages the pump activation to reduce pump consumption.	ALL
4862 EV - CONSTANT FLOW (PARAMETER)	Evaporator water flow control (plant primary circuit): constant flow (parameter set). Compatible with hydronic modules with modulating regulation devices (0-10V signal) or with variable speed pumps (codes: 4713, 4714, 4715, 4716, 4717, 4718, 4719, 4721, 4722, 4723 - hydronic modules availability depends on unit model).	The unit is set up to operate with a constant water flow in the heat exchanger (plant primary circuit). The unit controller manages the pump activation to reduce pump consumption. The pump speed is adjusted via 0-10V signal. The option provides the possibility to set the pump speed with a controller parameter. Once set, the speed pump remains constant until the next parameter adjustment. The parameter set constant flow control is useful during the unit installation and commissioning, to adjust water flow and pressure head according to the real plant characteristics.	ALL
4864 EV – VPF (w/o DP)(SU, MM_PR)	Evaporator water flow control (plant primary circuit): variable flow (delta P control). Only for single unit systems or unit with option 1541 (Multi Manager - Priority Master) if available. Compatible with hydronic modules with modulating regulation devices (0-10V signal) or with variable speed pumps (codes: 4713, 4714, 4715, 4716, 4717, 4718, 4719, 4721, 4722, 4723 - hydronic modules availability depends on unit model). The option includes: differential pressure transducer on the unit's heat exchanger and related controller expansion board, controller expansion board to read the plant side differential pressure transducer (4-20mA signal) and manage the hydraulic by-pass valve opening (0-10V signal). Compulsory equipment, supplied by others: plant side differential pressure transducer, plant side hydraulic by-pass valve.	The unit is set up to operate with a variable water flow in the heat exchanger (plant primary circuit). The unit controller manages the pump activation to reduce pump consumption. The pump speed is adjusted via 0-10V signal. The option provides a pump speed management based on the VPF (Variable Primary Flow) function. It keeps the delta P constant on the plant side (primary circuit), thus bringing significant pump consumption reduction during part load operation. The VPF function is applicable in systems with only the primary circuit. Further information available in the dedicated bulletin section.	ALL

**OPTIONS**

OPTIONS	DESCRIPTIONS	BENEFITS	AVAILABLE FOR MODELS
<p>4865 EV – VPF (w DP)(SU, MM_PR)</p>	<p>Evaporator water flow control (plant primary circuit): variable flow (delta P control). Only for single unit systems or unit with option 1541 (Multi Manager - Priority Master) if available. Compatible with hydronic modules with modulating regulation devices (0-10V signal) or with variable speed pumps (codes: 4713, 4714, 4715, 4716, 4717, 4718, 4719, 4721, 4722, 4723 - hydronic modules availability depends on unit model). The option includes: differential pressure transducer on the unit's heat exchanger and related controller expansion board, plant side differential pressure transducer (installation by others), controller expansion board to read the plant side differential pressure transducer (4-20mA signal) and manage the hydraulic by-pass valve opening (0-10V signal). Compulsory equipment, supplied by others: plant side hydraulic by-pass valve.</p>	<p>The unit is set up to operate with a variable water flow in the heat exchanger (plant primary circuit). The unit controller manages the pump activation to reduce pump consumption. The pump speed is adjusted via 0-10V signal. The option provides a pump speed management based on the VPF (Variable Primary Flow) function. It keeps the delta P constant on the plant side (primary circuit), thus bringing significant pump consumption reduction during part load operation. The VPF function is applicable in systems with only the primary circuit. Further information available in the dedicated bulletin section.</p>	<p>ALL</p>
<p>4866 EV – VPF (M3000, CPRO, MM_N-PR)</p>	<p>Evaporator water flow control (plant primary circuit): variable flow (delta P control). Only for multi-unit systems with external controller (Manager3000 or ClimaPRO) or unit with option 1542 (Multi Manager - Non Priority Master) if available. Compatible with hydronic modules with modulating regulation devices (0-10V signal) or with variable speed pumps (codes: 4713, 4714, 4715, 4716, 4717, 4718, 4719, 4721, 4722, 4723 - hydronic modules availability depends on unit model). The option includes: differential pressure transducer on the unit's heat exchanger and related controller expansion board. It shall be the customer responsibility to configure the multi-unit control system (Manager3000, ClimaPRO or Multi Manager Priority Master) with option VPF.</p>	<p>The unit is set up to operate with a variable water flow in the heat exchanger (plant primary circuit). The unit controller manages the pump activation to reduce pump consumption. The pump speed is adjusted via 0-10V signal. The option provides a pump speed management based on the VPF (Variable Primary Flow) function. It keeps the delta P constant on the plant side (primary circuit), thus bringing significant pump consumption reduction during part load operation. The VPF function is applicable in systems with only the primary circuit. Further information available in the dedicated bulletin section.</p>	<p>ALL</p>
<p>4867 EV - VPF.D (SU, MM_PR)</p>	<p>Evaporator water flow control (plant primary circuit): variable flow (delta T control). Only for single unit systems or unit with option 1541 (Multi Manager - Priority Master) if available. Compatible with hydronic modules with modulating regulation devices (0-10V signal) or with variable speed pumps (codes: 4713, 4714, 4715, 4716, 4717, 4718, 4719, 4721, 4722, 4723 - hydronic modules availability depends on unit model). The option includes: 2 plant side NTC temperature sensors (installation by others).</p>	<p>The unit is set up to operate with a variable water flow in the heat exchanger (plant primary circuit). The unit controller manages the pump activation to reduce pump consumption. The pump speed is adjusted via 0-10V signal. The option provides a pump speed management based on the VPF.D (Variable Primary Flow with Decoupler) function. It keeps the delta T constant on the plant side (primary circuit), thus bringing significant pump consumption reduction during part load operation. The VPF.D function is applicable in systems with the primary and secondary circuits separated by a hydraulic decoupler. Further information available in the dedicated bulletin section.</p>	<p>ALL</p>

**OPTIONS**

OPTIONS	DESCRIPTIONS	BENEFITS	AVAILABLE FOR MODELS
4868 EV - VPF.D(M3000, CPRO, MM_N-PR)	Evaporator water flow control (plant primary circuit): variable flow (delta T control). Only for multi-unit systems with external controller (Manager3000 or ClimaPRO) or unit with option 1542 (Multi Manager - Non Priority Master) if available. Compatible with hydronic modules with modulating regulation devices (0-10V signal) or with variable speed pumps (codes: 4713, 4714, 4715, 4716, 4717, 4718, 4719, 4721, 4722, 4723 - hydronic modules availability depends on unit model). It shall be the customer responsibility to configure the multi-unit control system (Manager3000, ClimaPRO or Multi Manager - Priority Master) with option VPF.D.	The unit is set up to operate with a variable water flow in the heat exchanger (plant primary circuit). The unit controller manages the pump activation to reduce pump consumption. The pump speed is adjusted via 0-10V signal. The option provides a pump speed management based on the VPF.D (Variable Primary Flow with Decoupler) function. It keeps the delta T constant on the plant side (primary circuit), thus bringing significant pump consumption reduction during part load operation. The VPF.D function is applicable in systems with the primary and secondary circuits separated by a hydraulic decoupler. Further information available in the dedicated bulletin section.	ALL
4869 EV - VPF.E	Evaporator water flow control (plant primary circuit): variable flow (delta T control). Compatible with hydronic modules with modulating regulation devices (0-10V signal) or with variable speed pumps (codes: 4713, 4714, 4715, 4716, 4717, 4718, 4719, 4721, 4722, 4723 - hydronic modules availability depends on unit model).	The unit is set up to operate with a variable water flow in the heat exchanger (plant primary circuit). The unit controller manages the pump activation to reduce pump consumption. The pump speed is adjusted via 0-10V signal. The option provides a pump speed management based on the VPF.E function. It keeps the delta T constant on the plant side (primary circuit), thus bringing significant pump consumption reduction during part load operation. The VPF.E function is applicable in systems with only the primary circuit and with the hydraulic terminals equipped 3 way valve (by-pass). Further information available in the dedicated bulletin section.	ALL
<b>1540 ON BOARD MULTI MANAGER</b>			
1541 MM PRIORITY MASTER MM_PR	Multi Manager - Priority Master: integrated control of a group of chillers and chillers with free-cooling with up to 8 units with LAN logics and dynamic master. The unit is identified and parameterized as a Priority Master; therefore it is given preference in case of election of a new Master (in case of a failure of the current Master). At least one Priority Master must be present in the group. The maximum number of Priority Master units coincides with the number of connected units (up to 8). If you want to equip the group of chiller with auxiliary functions (e.g. 4-20 mA set point variation, pressure transducer for VPF system), each Priority Master requires auxiliary input signals. Consequently, for each Priority Master it is necessary to select these accessories from the price list and proceed with their wiring onsite. More details can be found in the data book and in the controls technical documentation.	It allows the management of a group of chillers and chillers with free-cooling (up to 8 units) via LAN with master/slave operating logic with dynamic master which always guarantees a back-up function to the network. The system makes other functions available such as load and stand-by unit management, resource use priority, unit start-up in sequence and group fast restart (when Fast Restart option is available). For more details refer to the dedicated section of the data book.	ALL

## OPTIONS

OPTIONS	DESCRIPTIONS	BENEFITS	AVAILABLE FOR MODELS
1542 MM NON PRIORITY MASTER MM_N-PR	Multi Manager - Non Priority Master: integrated control of a group of chillers and chillers with free-cooling with up to 8 units with LAN logics and dynamic master. The unit is identified and parameterized as a Non-Priority Master. Non-Priority Master units can become Masters (in case of a failure of the current Master) if there are no more Priority Master units available. In this case, the functions provided by the auxiliary signals are suspended (e.g. 4-20 mA set point variation, VPF); these signals can only be processed by Priority Master units. More details can be found in the data book and in the controls technical documentation.	It allows the management of a group of chillers and chillers with free-cooling (up to 8 units) via LAN with master/slave operating logic with dynamic master which always guarantees a back-up function to the network. The system makes other functions available such as load and stand-by unit management, resource use priority, unit start-up in sequence and group fast restart (when Fast Restart option is available). For more details refer to the dedicated section of the data book.	ALL
<b>2910 HYDRAULIC CONNECTIONS</b>			
2911 FLANGED HYDRAULIC CONNECTIONS	Grooved coupling with flanged counter-pipe user/source side.		ALL
<b>3370 D - HYDRONIC MODULE</b>			
3371 D - RELAY 1 PUMP (ON/OFF)	Desuperheater hydronic module. The unit is provided with 1 relay to control the activation of 1 external pump via single ON/OFF signal.	The hydronic module allows to control the external pumps with the unit controller logic. The partial heat recovery pumps are activated only when heat recovery is actually possible: compressors on, hot storage tank temperature lower than set-point and than compressor outlet gas temperature. The option minimizes pump consumption.	ALL
<b>2430 PIPING KIT ANTIFREEZE HEATER</b>			
2432 ANTIFREEZE PIPING, PUMPS	Electrical heaters on pipes and other hydraulic unit's components. This option is mandatory if the unit is supposed to work with outdoor temperature below 0°C. Only for units provided with on-board pumps.	It protects the unit against ice formation on its hydraulic components.	ALL
<b>2680 WATER CONNECTIONS ORIENTATION</b>			
2686 EVAP. CONNECTION LEFT HAND SIDE			ALL
<b>2340 UNIT ENCLOSURE</b>			
2301 COMPRESS.ACOUSTICAL ENCLOSURE	Enclosure made from hot galvanised metal plate and painted with epoxy powder coat. The acoustic insulation availability depends on unit model, see the dedicated description in "Accessories notes".	It reduces the noise emissions and improves aesthetics.	ALL
2315 NOISE REDUCER	The option includes the fan speed reduction and the compressors' acoustical enclosure	The dedicated fans' speed calibration together with the soundproofing of the most critical components permit a significant noise reduction (for the precise performance of the unit with the Noise Reducer kit please refer to the selection software ELCA Studio).	ALL
<b>2020 ANTI-INTRUSION GRILLS</b>			
2021 ANTI-INTRUSION GRILLS	Anti-intrusions grills	Avoid the intrusion of solid bodies into the unit's structure.	ALL
<b>1970 LONG DISTANCE TRANSPORTATION</b>			
1971 REINFORCING BARS	Bars used to reinforce the structure	Improve resistance during long transportation	ALL

## OPTIONS

OPTIONS	DESCRIPTIONS	BENEFITS	AVAILABLE FOR MODELS
<b>9970 PACKING</b>			
9966 NYLON PACKING	Unit covered with nylon		ALL
9979 CONTAINER PACKING	Unit provided with container slides and covered with nylon		ALL
<b>AC01 ACCESSOR. SUPPLIED SEPARATELY</b>			
AC01 EVAPORATOR WATER FLOWSWITCH	Flow switch with stainless scoop AISI 316L and IP65 protection suitable for installation in industrial plant pipes. It should be installed in a straight pipe without filters, valves, etc., long at least 5 times its diameter, both upstream and downstream.	Signaling of lack of or excessive reduction of flow, it generates an alarm that is in automatic or manual reset depending on n ° alarms per hour and the maximum time of operation of the pump under conditions of low flow rate.	ALL
AC04 RUBBER TYPE ANTIVIBR.MOUNTING			ALL
AC05 SPRING TYPE ANTIVIBR.MOUNTING			ALL

## OPTIONS

### Additional information - IMPORTANT -

#### /D, unit with partial heat recovery

The option leads to an extension of the lead time, contact our sales department for information.

#### 1015 - Heat exchangers NSW certified

#### 1019 - Heat exchangers AS1210 certified

The certification is available for the evaporator only. If the certification is required also for the recovery heat exchanger (versions /D), please contact our sales department.

#### 3301 - Compressor power factor correction

The option leads to an extension of the lead time, contact our sales department for information

#### 3301 - Compressor power factor correction

#### 1511 - Unit with soft start

There is a mutual exclusion rule between the compressor rephrasing capacitors and the soft-start device. When both accessories are required together, a feasibility analysis is needed. If the configuration is available as a special execution, an extra-price may be quoted.

#### 1511 - Unit with soft-start

The device has an effect on 2 phases.

#### 1513 - Unit with 3-phase soft-start

The option leads to an extension of the lead time and could entail a unit length increase. For further information, please contact our sales department.

#### 1511 - Unit with soft-start

#### 1513 - Unit with 3-phase soft-start

The accessory requires the use of automatic circuit breakers on loads:

3412 - Automatic circuit breakers on loads.

#### 3431 - Refrigerant leak detector

#### 3433 - Refrigerant leak detector + compressors off

The accessory requires the compressor enclosure. The compressor enclosure the standard in the silenced units (versions SL-A).

For the not-silenced units (version A), please select one of the following accessories:

2301 - Compressor acoustical enclosure

2315 - Noise Reducer.

#### 4962 - U.L.C.F. – With variable water flow

1475 – 4962 + 4951

1476 – 4962 + 1431

1477 – 4962 + 4951 + 1431

These options lead to an extension of the lead time, contact our sales department for information.

#### 1955 - Kit HT

The performance calculation with HT kit is not available in the selection software for evaporator leaving water temperature between 18 ° C and 20 ° C, keep the performance constant and equal to that of 18 ° C at the selection outdoor air temperature.

In case of outdoor air temperature higher than 46°C, only option 818 – Oversized EC fans is available (opt. 808 EC Fans are not suitable to operate over 46°C of outdoor temperature). For further information, please contact our sales department.

#### 808 - EC fans

These fans are suitable to operate up to 46°C of outdoor temperature.

In case of higher temperatures, fans with oversized motors must be used.

#### 818 – Oversized EC fans

This option allows to provide an available static pressure at the air discharge of the fans. Units with this option are suitable to win maximum air pressure drop of 150 Pa.

From 100 Pa to 150 Pa there is a reduction of the maximum outdoor air temperature admitted. 150 Pa are available at 46°C for all sizes.

This option is not compatible with opt. 2315 - Noise Reducer.

The option leads to an extension of the lead time, contact our sales department for information

#### 2301 – Compressor acoustical enclosure

Soundproofing insulation characteristics: 30 mm thick

Fiberform (polyester fibres).

Sound power reduction: -2 dB(A).

This option is not compatible with opt. 2315 – Noise Reducer.

#### 2315 - Noise Reducer

Soundproofing insulation characteristics: 30 mm thick

Fiberform (polyester fibres). Fan speed reduction.

Sound power reduction: -7 dB(A).

#### 4711 - EV - 2 PUMPS 2P LH (FIX SPEED)

#### 4712 - EV - 2 PUMPS 2P HH (FIX SPEED)

#### 4722 - EV - 2 PUMPS 2P LH (VAR SPEED)

#### 4723 - EV - 2 PUMPS 2P HH (VAR SPEED)

The pump group may increase the unit's length. For further information, please refer to the selection software or contact our sales department.

#### 4864 - EV VPF (w/o DP)(SU, MM PR)

#### 4865 - EV - EV-VPF (w DP)(SU, MM PR )

#### 4866 - EV - EV-VPF.D (SU, MM PR )

With these accessories, the minimum leaving water temperature admitted is 5°C.

#### 4867 - EV-VPF (M3000, CPRO, MM N-PR)

#### 4868 - EV-VPF.D(M3000, CPRO, MM N-PR)

With these accessories, the minimum leaving water temperature admitted is 5°C.

#### 1541 – Multi Manager – Priority Master

#### 1542 – Multi Manager – Non-Priority Master

These options are not compatible with options:

5922 - ClimaPRO ModBUS RS485 – MID

5923 - ClimaPRO BacNET over IP.

#### 1541 – Multi Manager – Priority Master

This option is not compatible with options:

4866 – EV-VPF (M3000, CPRO, MM N-PR) (VPF option for plants with Manager3000, ClimaPro and Non-Priority Master)

4868 – EV-VPF.D(M3000, CPRO, MM N-PR) (VPF option for plants with Manager3000, ClimaPro and Non-Priority Master)

#### 1542 – Multi Manager – Non-Priority Master

This option is not compatible with options:

4864 – EV-VPF (w/o DP)(SU, MM PR) (VPF option for plants with a Single Unit or for Priority Master units – plant side differential pressure transducer excluded).

4865 – EV-VPF (w DP)(SU, MM PR) (VPF option for plants

**OPTIONS**

with a Single Unit or for Priority Master units – plant side differential pressure transducer included).  
 4867 – EV-VPF.D (SU, MM PR) (VPF.D option for plants with a Single Unit or for Priority Master units).

**2686 – Evap. connect. left hand side**

The option leads to an extension of the lead time, contact our sales department for information.

**9979 – Container packing**

The selection of one of these options is mandatory to let the units be shippable via container. These options provide low-profiled fans which can reduce the height of the units and permit the transport via container. The selection of these options increases the sound power level of the units of 1 dB(A).

**AC01 - Evaporator water flow switch**

The accessory is supplied loose.

**3371 - D - Relay 1 pump (ON/OFF)**

The operating diagram of the device is provided below.

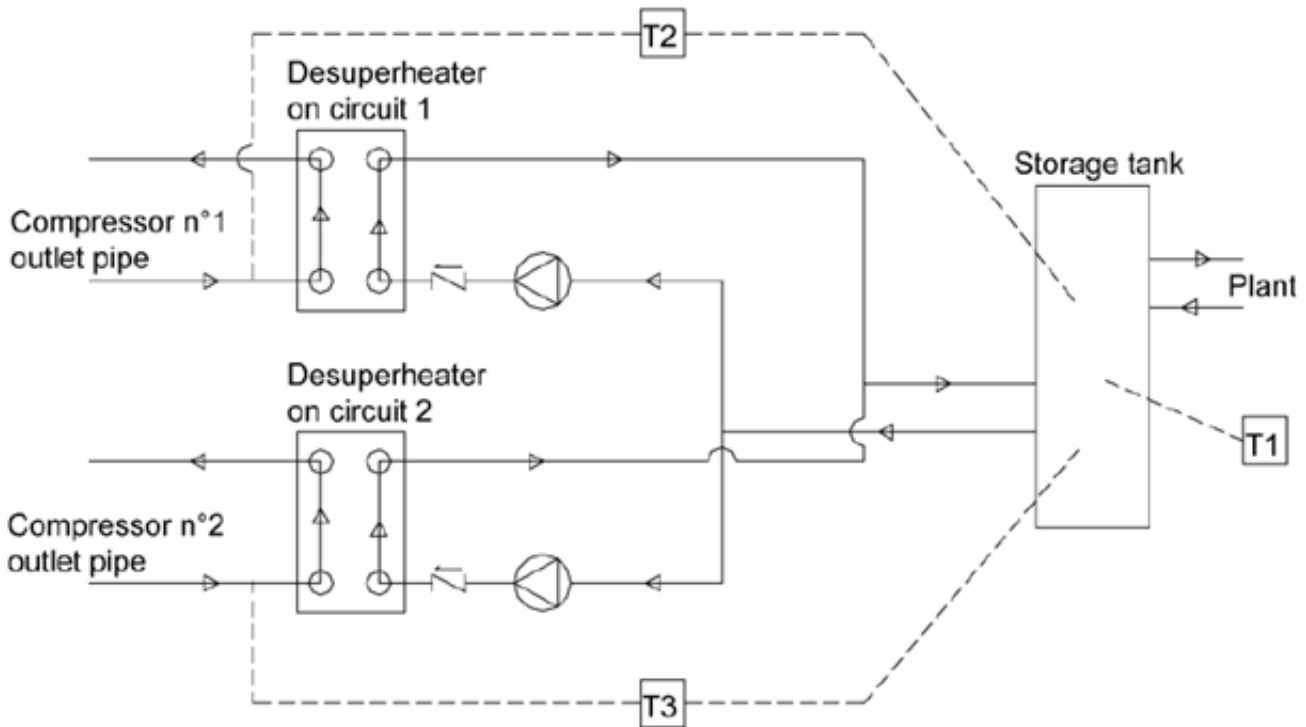


Fig. – Operating diagram of the “partial heat recovery control” function for a unit with two refrigerant circuits.

Note: the thermostats T1, T2 and T3 are supplied cabled. It is the customer’s responsibility to place the temperature probes in the storage tank.

The option leads to an extension of the lead time, contact our sales department for information.



## OPTIONS

### Chiller Plant Control with Active Optimization System

#### ClimaPRO System Manager

ClimaPRO System Manager represents the state-of-the-art platform for chiller plant management and control.

ClimaPRO ensures to actively optimize the entire chiller plant by managing and adjusting each component directly involved in the production and the distribution of the heating and the cooling energies, therefore involving chillers and heat pumps, pumping groups as well as the source-side devices like, for example, the cooling towers.

In particular, ClimaPRO measures in real-time all the operating variables from the field, for each individual device and each of the main system branches, by using serial communication lines as well as dedicated analogue signals.

The acquired data are then compared with the design data of each single unit at any different working conditions, thus allowing to implement control strategies based on dynamic algorithms which take into account the real operating conditions.

On the basis of these values, an advanced diagnostic module also allows to assess the level of efficiency for each individual unit, translating data into easy-to-read information in order to simplify and optimize the maintenance activities.

The "Chart Builder" software module allows to display the trends of the main operating variables. The "Reporting" module allows to send reports to selected users, including data and system's status of the main devices as well as to perform calculation of the energy indexes for each single unit and for the entire chiller plant.

The accessibility to ClimaPRO System Manager is ensured by an integrated web server that makes it visible from any computer equipped with a web browser, either locally or remotely.



## 5.1 GENERAL TECHNICAL DATA

## FX2-G04 /A

[ SI System ]

FX2-G04 /A		0252	0302	0322	0352	0402	0452	0512	0572	0652	0772	
Power supply		V/ph/Hz 400/3/50 400/3/50 400/3/50 400/3/50 400/3/50 400/3/50 400/3/50 400/3/50 400/3/50 400/3/50										
<b>PERFORMANCE</b>												
<b>COOLING ONLY (GROSS VALUE)</b>												
Cooling capacity	(1)	kW	255,3	289,9	315,1	365,0	405,4	445,9	519,7	573,4	679,0	781,7
Total power input	(1)	kW	75,98	87,26	94,43	106,7	121,7	135,2	156,8	172,2	204,8	235,6
EER	(1)	kW/kW	3,359	3,321	3,338	3,421	3,331	3,298	3,314	3,330	3,315	3,318
ESEER	(1)	kW/kW	4,530	4,500	4,560	4,480	4,500	4,590	4,530	4,570	4,530	4,550
<b>COOLING ONLY (EN14511 VALUE)</b>												
Cooling capacity	(2)(3)	kW	255,0	289,5	314,7	364,7	405,0	445,4	519,2	572,9	678,4	781,0
EER	(2)(3)	kW/kW	3,320	3,280	3,310	3,390	3,290	3,250	3,280	3,290	3,270	3,270
ESEER	(2)(3)	kW/kW	-	-	-	-	-	-	-	-	-	-
<b>COOLING WITH PARTIAL RECOVERY</b>												
Cooling capacity	(4)	kW	264,9	300,7	326,9	378,7	420,6	462,6	539,2	594,9	704,5	811,0
Total power input	(4)	kW	73,65	84,54	91,45	103,4	117,8	131,0	151,9	166,7	198,3	228,1
Desuperheater heating capacity	(4)	kW	59,34	69,41	75,81	85,06	98,42	108,8	126,4	140,2	165,8	189,9
<b>EXCHANGERS</b>												
<b>HEAT EXCHANGER USER SIDE IN REFRIGERATION</b>												
Water flow	(1)	l/s	12,21	13,86	15,07	17,46	19,39	21,32	24,85	27,42	32,47	37,38
Pressure drop at the heat exchanger	(2)	kPa	38,1	36,3	23,9	32,1	39,7	48,0	34,3	41,8	51,5	54,3
<b>PARTIAL RECOVERY USER SIDE IN REFRIGERATION</b>												
Water flow	(4)	l/s	2,864	3,350	3,659	4,106	4,751	5,254	6,103	6,766	8,004	9,168
Pressure drop at the heat exchanger	(4)	kPa	15,6	21,4	25,5	32,1	43,0	26,1	35,2	43,3	29,9	39,2
<b>REFRIGERANT CIRCUIT</b>												
Compressors nr.		N°	2	2	2	2	2	2	2	2	2	2
Number of capacity steps		N°	0	0	0	0	0	0	0	0	0	0
No. Circuits		N°	2	2	2	2	2	2	2	2	2	2
Regulation			STEPLESS	STEPLESS	STEPLESS	STEPLESS	STEPLESS	STEPLESS	STEPLESS	STEPLESS	STEPLESS	STEPLESS
Min. capacity step		%	20	20	20	20	20	20	20	20	20	20
Refrigerant			HFO-1234ze	HFO-1234ze	HFO-1234ze	HFO-1234ze	HFO-1234ze	HFO-1234ze	HFO-1234ze	HFO-1234ze	HFO-1234ze	HFO-1234ze
Refrigerant charge		kg	51,0	55,0	59,0	67,0	72,0	81,0	93,0	98,0	123	142
Oil charge		kg	30,0	30,0	30,0	30,0	44,0	38,0	38,0	38,0	60,0	60,0
Rc (ASHRAE)	(5)	kg/kW	0,20	0,19	0,19	0,19	0,18	0,18	0,18	0,17	0,18	0,18
<b>FANS</b>												
Quantity		N°	5	5	5	6	6	7	8	8	10	12
Air flow		m³/s	26,58	26,58	26,58	31,90	31,90	37,22	42,53	42,53	53,17	63,80
Fans power input		kW	1,90	1,90	1,90	1,90	1,90	1,90	1,90	1,90	1,90	1,90
<b>NOISE LEVEL</b>												
Sound Pressure	(6)	dB(A)	66	67	67	68	68	68	68	70	69	70
Sound power level in cooling	(7)(8)	dB(A)	98	99	99	100	100	100	100	102	102	103
<b>SIZE AND WEIGHT</b>												
A	(9)	mm	4000	4000	4000	4000	4000	5250	5250	5250	6500	7750
B	(9)	mm	2260	2260	2260	2260	2260	2260	2260	2260	2260	2260
H	(9)	mm	2640	2640	2640	2640	2640	2640	2640	2640	2640	2640
Operating weight	(9)	kg	3540	3560	3660	3810	4470	4990	5190	5250	6710	7650

### Notes:

- 1 Plant (side) cooling exchanger water (in/out) 12,00°C/7,00°C; Source (side) heat exchanger air (in) 35,0°C.
- 2 Plant (side) cooling exchanger water (in/out) 12,00°C/7,00°C; Source (side) heat exchanger air (in) 35,0°C.
- 3 Values in compliance with EN14511
- 4 Plant (side) cooling exchanger water (in/out) 12,00°C/7,00°C; Source (side) heat exchanger air (in) 35,0°C; Plant (side) heat exchanger recovery water (in/out) 40,00°C/45,00°C.
- 5 Rated in accordance with AHRI Standard 550/590
- 6 Average sound pressure level at 10m distance, unit in a free field on a reflective surface; non-binding value calculated from the sound power level.
- 7 Sound power on the basis of measurements taken in compliance with ISO 9614.
- 8 Sound power level in cooling, outdoors.
- 9 Unit in standard configuration, without optional accessories.

- Not available

Data certified in EUROVENT

**GENERAL TECHNICAL DATA**

**FX2-G04 /A**

[ SI System ]

FX2-G04 /A		0902	0972	1052	1152	1243	1373	1503	1593	
Power supply		V/ph/Hz 400/3/50 400/3/50 400/3/50 400/3/50 400/3/50 400/3/50 400/3/50 400/3/50								
<b>PERFORMANCE</b>										
<b>COOLING ONLY (GROSS VALUE)</b>										
Cooling capacity	(1)	kW	903,5	967,9	1058	1145	1239	1362	1488	1561
Total power input	(1)	kW	276,0	287,2	319,7	343,6	373,1	415,8	446,3	473,4
EER	(1)	kW/kW	3,274	3,370	3,309	3,332	3,321	3,276	3,334	3,297
ESEER	(1)	kW/kW	4,530	4,540	4,590	4,630	4,550	4,570	4,590	4,600
<b>COOLING ONLY (EN14511 VALUE)</b>										
Cooling capacity	(2)(3)	kW	902,9	967,1	1057	1145	1238	1361	1487	1560
EER	(2)(3)	kW/kW	3,240	3,330	3,270	3,290	3,280	3,240	3,290	3,250
ESEER	(2)(3)	kW/kW	-	-	-	-	-	-	-	-
<b>COOLING WITH PARTIAL RECOVERY</b>										
Cooling capacity	(4)	kW	937,4	1004	1097	1188	1285	1413	1543	1620
Total power input	(4)	kW	267,2	278,1	309,6	332,7	361,3	402,5	432,0	458,1
Desuperheater heating capacity	(4)	kW	226,0	232,6	258,2	279,6	302,5	340,6	366,2	388,6
<b>EXCHANGERS</b>										
<b>HEAT EXCHANGER USER SIDE IN REFRIGERATION</b>										
Water flow	(1)	l/s	43,21	46,28	50,57	54,77	59,24	65,14	71,14	74,65
Pressure drop at the heat exchanger	(2)	kPa	35,3	52,5	48,4	53,3	46,9	46,2	55,1	60,7
<b>PARTIAL RECOVERY USER SIDE IN REFRIGERATION</b>										
Water flow	(4)	l/s	10,91	11,23	12,47	13,50	14,60	16,44	17,68	18,76
Pressure drop at the heat exchanger	(4)	kPa	32,4	34,3	42,3	26,0	36,2	32,6	37,7	33,3
<b>REFRIGERANT CIRCUIT</b>										
Compressors nr.		N°	2	2	2	2	3	3	3	3
Number of capacity steps		N°	0	0	0	0	0	0	0	0
No. Circuits		N°	2	2	2	2	3	3	3	3
Regulation			STEPLESS	STEPLESS	STEPLESS	STEPLESS	STEPLESS	STEPLESS	STEPLESS	STEPLESS
Min. capacity step		%	20	20	20	20	14	14	14	14
Refrigerant			HFO-1234ze	HFO-1234ze	HFO-1234ze	HFO-1234ze	HFO-1234ze	HFO-1234ze	HFO-1234ze	HFO-1234ze
Refrigerant charge		kg	152	160	191	195	216	222	232	248
Oil charge		kg	60,0	60,0	64,0	64,0	90,0	90,0	90,0	92,0
Rc (ASHRAE)	(5)	kg/kW	0,17	0,17	0,18	0,17	0,18	0,16	0,16	0,16
<b>FANS</b>										
Quantity		N°	12	14	16	16	18	18	19	20
Air flow		m³/s	63,80	74,43	85,07	85,07	95,70	95,70	101,01	106,33
Fans power input		kW	1,90	1,90	1,90	1,90	1,90	1,90	1,90	1,90
<b>NOISE LEVEL</b>										
Sound Pressure	(6)	dB(A)	71	71	73	73	73	73	73	73
Sound power level in cooling	(7)(8)	dB(A)	104	104	106	106	106	106	106	106
<b>SIZE AND WEIGHT</b>										
A	(9)	mm	7750	9000	10400	10400	11650	11650	12900	12900
B	(9)	mm	2260	2260	2260	2260	2260	2260	2260	2260
H	(9)	mm	2640	2640	2640	2640	2640	2640	2640	2640
Operating weight	(9)	kg	7900	8340	9370	9440	11380	12070	12680	12930

Notes:

- 1 Plant (side) cooling exchanger water (in/out) 12,00°C/7,00°C; Source (side) heat exchanger air (in) 35,0°C.
- 2 Plant (side) cooling exchanger water (in/out) 12,00°C/7,00°C; Source (side) heat exchanger air (in) 35,0°C.
- 3 Values in compliance with EN14511
- 4 Plant (side) cooling exchanger water (in/out) 12,00°C/7,00°C; Source (side) heat exchanger air (in) 35,0°C; Plant (side) heat exchanger recovery water (in/out) 40,00°C/45,00°C.
- 5 Rated in accordance with AHRI Standard 550/590
- 6 Average sound pressure level at 10m distance, unit in a free field on a reflective surface; non-binding value calculated from the sound power level.
- 7 Sound power on the basis of measurements taken in compliance with ISO 9614.
- 8 Sound power level in cooling, outdoors.
- 9 Unit in standard configuration, without optional accessories.
- Not available

Data certified in EUROVENT

**GENERAL TECHNICAL DATA**

**FX2-G04 /SL-A**

[ SI System ]

FX2-G04 /SL-A		0252	0302	0322	0352	0402	0452	0512	0572	0652	0772	
Power supply		V/ph/Hz 400/3/50 400/3/50 400/3/50 400/3/50 400/3/50 400/3/50 400/3/50 400/3/50 400/3/50 400/3/50 400/3/50										
<b>PERFORMANCE</b>												
<b>COOLING ONLY (GROSS VALUE)</b>												
Cooling capacity	(1)	kW	252,3	286,2	310,7	362,2	399,4	445,7	512,4	567,7	669,5	771,7
Total power input	(1)	kW	74,66	86,37	93,79	106,2	121,3	132,5	156,1	173,0	203,9	234,8
EER	(1)	kW/kW	3,378	3,312	3,312	3,411	3,293	3,364	3,283	3,282	3,283	3,287
ESEER	(1)	kW/kW	4,560	4,520	4,580	4,510	4,500	4,630	4,550	4,590	4,540	4,560
<b>COOLING ONLY (EN14511 VALUE)</b>												
Cooling capacity	(2)(3)	kW	252,0	285,9	310,4	361,8	399,0	445,2	512,0	567,2	668,9	771,1
EER	(2)(3)	kW/kW	3,340	3,270	3,280	3,380	3,260	3,320	3,250	3,240	3,240	3,240
ESEER	(2)(3)	kW/kW	-	-	-	-	-	-	-	-	-	-
<b>COOLING WITH PARTIAL RECOVERY</b>												
Cooling capacity	(4)	kW	261,8	296,9	322,3	375,8	414,4	462,4	531,6	589,0	694,6	800,7
Total power input	(4)	kW	72,29	83,59	90,76	102,7	117,3	128,3	151,0	167,3	197,3	227,1
Desuperheater heating capacity	(4)	kW	60,39	70,85	77,47	87,26	100,8	108,3	129,3	144,4	169,5	194,6
<b>EXCHANGERS</b>												
<b>HEAT EXCHANGER USER SIDE IN REFRIGERATION</b>												
Water flow	(1)	l/s	12,07	13,69	14,86	17,32	19,10	21,31	24,50	27,15	32,02	36,91
Pressure drop at the heat exchanger	(2)	kPa	37,2	35,4	23,3	31,6	38,5	47,9	33,4	41,0	50,1	53,0
<b>PARTIAL RECOVERY USER SIDE IN REFRIGERATION</b>												
Water flow	(4)	l/s	2,915	3,420	3,740	4,212	4,864	5,229	6,243	6,970	8,183	9,392
Pressure drop at the heat exchanger	(4)	kPa	16,2	22,3	26,6	33,8	45,1	25,9	36,9	46,0	31,2	41,2
<b>REFRIGERANT CIRCUIT</b>												
Compressors nr.		N°	2	2	2	2	2	2	2	2	2	2
Number of capacity steps		N°	0	0	0	0	0	0	0	0	0	0
No. Circuits		N°	2	2	2	2	2	2	2	2	2	2
Regulation			STEPLESS	STEPLESS	STEPLESS	STEPLESS	STEPLESS	STEPLESS	STEPLESS	STEPLESS	STEPLESS	STEPLESS
Min. capacity step		%	20	20	20	20	20	20	20	20	20	20
Refrigerant			HFO-1234ze	HFO-1234ze	HFO-1234ze	HFO-1234ze	HFO-1234ze	HFO-1234ze	HFO-1234ze	HFO-1234ze	HFO-1234ze	HFO-1234ze
Refrigerant charge		kg	51,0	55,0	59,0	67,0	72,0	85,0	93,0	98,0	123	142
Oil charge		kg	30,0	30,0	30,0	30,0	44,0	38,0	38,0	38,0	60,0	60,0
Rc (ASHRAE)	(5)	kg/kW	0,20	0,19	0,19	0,19	0,18	0,19	0,18	0,17	0,19	0,19
<b>FANS</b>												
Quantity		N°	5	5	5	6	6	8	8	8	10	12
Air flow		m³/s	24,01	24,01	24,01	28,81	28,81	38,41	38,41	38,41	48,02	57,62
Fans power input		kW	1,40	1,40	1,40	1,40	1,40	1,40	1,40	1,40	1,40	1,40
<b>NOISE LEVEL</b>												
Sound Pressure	(6)	dB(A)	55	55	55	56	57	57	57	58	58	59
Sound power level in cooling	(7)(8)	dB(A)	87	87	87	88	89	89	89	90	91	92
<b>SIZE AND WEIGHT</b>												
A	(9)	mm	4000	4000	4000	4000	4000	5250	5250	5250	6500	7750
B	(9)	mm	2260	2260	2260	2260	2260	2260	2260	2260	2260	2260
H	(9)	mm	2640	2640	2640	2640	2640	2640	2640	2640	2640	2640
Operating weight	(9)	kg	3810	3830	3930	4080	4930	5620	5720	5780	7320	8270

**Notes:**

- 1 Plant (side) cooling exchanger water (in/out) 12,00°C/7,00°C; Source (side) heat exchanger air (in) 35,0°C.
- 2 Plant (side) cooling exchanger water (in/out) 12,00°C/7,00°C; Source (side) heat exchanger air (in) 35,0°C.
- 3 Values in compliance with EN14511
- 4 Plant (side) cooling exchanger water (in/out) 12,00°C/7,00°C; Source (side) heat exchanger air (in) 35,0°C; Plant (side) heat exchanger recovery water (in/out) 40,00°C/45,00°C.
- 5 Rated in accordance with AHRI Standard 550/590
- 6 Average sound pressure level at 10m distance, unit in a free field on a reflective surface; non-binding value calculated from the sound power level.
- 7 Sound power on the basis of measurements taken in compliance with ISO 9614.
- 8 Sound power level in cooling, outdoors.
- 9 Unit in standard configuration, without optional accessories.
- Not available

Data certified in EUROVENT

**GENERAL TECHNICAL DATA**

**FX2-G04 /SL-A**

[ SI System ]

FX2-G04 /SL-A		0902	0972	1052	1152	1243	1373	1503	1593	
Power supply		V/ph/Hz 400/3/50 400/3/50 400/3/50 400/3/50 400/3/50 400/3/50 400/3/50 400/3/50								
<b>PERFORMANCE</b>										
<b>COOLING ONLY (GROSS VALUE)</b>										
Cooling capacity	(1)	kW	893,3	959,0	1044	1133	1222	1352	1482	1572
Total power input	(1)	kW	265,2	287,9	318,4	344,3	372,8	411,5	442,8	479,8
EER	(1)	kW/kW	3,368	3,331	3,279	3,291	3,278	3,286	3,347	3,276
ESEER	(1)	kW/kW	4,540	4,550	4,600	4,640	4,560	4,590	4,640	4,640
<b>COOLING ONLY (EN14511 VALUE)</b>										
Cooling capacity	(2)(3)	kW	892,6	958,2	1043	1133	1221	1351	1481	1572
EER	(2)(3)	kW/kW	3,330	3,290	3,240	3,250	3,240	3,250	3,300	3,250
ESEER	(2)(3)	kW/kW	-	-	-	-	-	-	-	-
<b>COOLING WITH PARTIAL RECOVERY</b>										
Cooling capacity	(4)	kW	926,8	994,9	1083	1176	1268	1403	1538	1631
Total power input	(4)	kW	256,6	278,5	308,0	333,1	360,6	398,0	428,3	464,0
Desuperheater heating capacity	(4)	kW	219,2	239,5	264,2	287,4	310,3	343,5	370,3	403,3
<b>EXCHANGERS</b>										
<b>HEAT EXCHANGER USER SIDE IN REFRIGERATION</b>										
Water flow	(1)	l/s	42,72	45,86	49,92	54,20	58,44	64,65	70,87	75,20
Pressure drop at the heat exchanger	(2)	kPa	44,7	51,5	47,2	52,2	45,6	45,5	54,7	35,9
<b>PARTIAL RECOVERY USER SIDE IN REFRIGERATION</b>										
Water flow	(4)	l/s	10,58	11,56	12,75	13,87	14,98	16,58	17,87	19,47
Pressure drop at the heat exchanger	(4)	kPa	30,5	36,4	44,3	27,4	38,1	33,1	38,5	35,9
<b>REFRIGERANT CIRCUIT</b>										
Compressors nr.		N°	2	2	2	2	3	3	3	3
Number of capacity steps		N°	0	0	0	0	0	0	0	0
No. Circuits		N°	2	2	2	2	3	3	3	3
Regulation			STEPLESS	STEPLESS	STEPLESS	STEPLESS	STEPLESS	STEPLESS	STEPLESS	STEPLESS
Min. capacity step		%	20	20	20	20	14	14	14	14
Refrigerant			HFO-1234ze	HFO-1234ze	HFO-1234ze	HFO-1234ze	HFO-1234ze	HFO-1234ze	HFO-1234ze	HFO-1234ze
Refrigerant charge		kg	155	160	191	195	216	233	243	253
Oil charge		kg	60,0	60,0	64,0	64,0	90,0	90,0	90,0	92,0
Rc (ASHRAE)	(5)	kg/kW	0,18	0,17	0,18	0,17	0,18	0,17	0,17	0,16
<b>FANS</b>										
Quantity		N°	14	14	16	16	18	19	20	20
Air flow		m³/s	67,22	67,22	76,83	76,83	86,43	91,23	96,03	96,03
Fans power input		kW	1,40	1,40	1,40	1,40	1,40	1,40	1,40	1,40
<b>NOISE LEVEL</b>										
Sound Pressure	(6)	dB(A)	60	61	61	61	61	61	62	62
Sound power level in cooling	(7)(8)	dB(A)	93	94	94	94	94	94	95	95
<b>SIZE AND WEIGHT</b>										
A	(9)	mm	9000	9000	10400	10400	11650	12900	12900	12900
B	(9)	mm	2260	2260	2260	2260	2260	2260	2260	2260
H	(9)	mm	2640	2640	2640	2640	2640	2640	2640	2640
Operating weight	(9)	kg	8910	8980	10010	10080	12300	13620	13740	13880

**Notes:**

- 1 Plant (side) cooling exchanger water (in/out) 12,00°C/7,00°C; Source (side) heat exchanger air (in) 35,0°C.
- 2 Plant (side) cooling exchanger water (in/out) 12,00°C/7,00°C; Source (side) heat exchanger air (in) 35,0°C.
- 3 Values in compliance with EN14511
- 4 Plant (side) cooling exchanger water (in/out) 12,00°C/7,00°C; Source (side) heat exchanger air (in) 35,0°C; Plant (side) heat exchanger recovery water (in/out) 40,00°C/45,00°C.
- 5 Rated in accordance with AHRI Standard 550/590
- 6 Average sound pressure level at 10m distance, unit in a free field on a reflective surface; non-binding value calculated from the sound power level.
- 7 Sound power on the basis of measurements taken in compliance with ISO 9614.
- 8 Sound power level in cooling, outdoors.
- 9 Unit in standard configuration, without optional accessories.
- Not available

Data certified in EUROVENT



## 6.1 TECHNICAL DATA SEASONAL EFFICIENCY IN COOLING (EN14825 VALUE)

[ SI System ]

### ENERGY EFFICIENCY

#### SEASONAL EFFICIENCY IN COOLING (Reg. EU 2016/2281) Ambient refrigeration

FX2-G04 /A			0252	0302	0322	0352	0402	0452	0512	0572	0652	0772
Prated,c	(1)	kW	255,0	289,5	314,7	364,7	405,0	445,4	519,2	572,9	678,4	781,0
SEER	(1) (2)	-	4,55	4,52	4,61	4,54	4,56	4,61	4,56	4,61	4,60	4,63
Performance $\eta_s$	(1) (3)	%	179,0	178,0	181,0	178,0	179,0	181,0	179,0	182,0	181,0	182,0
<b>FX2-G04 /A</b>			<b>0902</b>	<b>0972</b>	<b>1052</b>	<b>1152</b>	<b>1243</b>	<b>1373</b>	<b>1503</b>	<b>1593</b>		
Prated,c	(1)	kW	902,9	967,1	1057,0	1145,0	1238,0	1361,0	1487,0	1560,0		
SEER	(1) (2)	-	4,61	4,64	4,65	4,69	4,63	4,58	4,67	4,69		
Performance $\eta_s$	(1) (3)	%	181,0	183,0	183,0	185,0	182,0	180,0	184,0	185,0		
<b>FX2-G04 /SL-A</b>			<b>0252</b>	<b>0302</b>	<b>0322</b>	<b>0352</b>	<b>0402</b>	<b>0452</b>	<b>0512</b>	<b>0572</b>	<b>0652</b>	<b>0772</b>
Prated,c	(1)	kW	252,0	285,9	310,4	361,8	399,0	445,2	512,0	567,2	668,9	771,1
SEER	(1) (2)	-	4,57	4,53	4,61	4,56	4,56	4,65	4,56	4,62	4,59	4,63
Performance $\eta_s$	(1) (3)	%	180,0	178,0	181,0	179,0	179,0	183,0	179,0	182,0	181,0	182,0
<b>FX2-G04 /SL-A</b>			<b>0902</b>	<b>0972</b>	<b>1052</b>	<b>1152</b>	<b>1243</b>	<b>1373</b>	<b>1503</b>	<b>1593</b>		
Prated,c	(1)	kW	892,6	958,2	1043,0	1133,0	1221,0	1351,0	1481,0	1572,0		
SEER	(1) (2)	-	4,62	4,64	4,65	4,70	4,63	4,60	4,72	4,74		
Performance $\eta_s$	(1) (3)	%	182,0	183,0	183,0	185,0	182,0	181,0	186,0	186,0		

Notes:

(1) Parameter calculated according to [REGULATION (EU) N. 2016/2281]

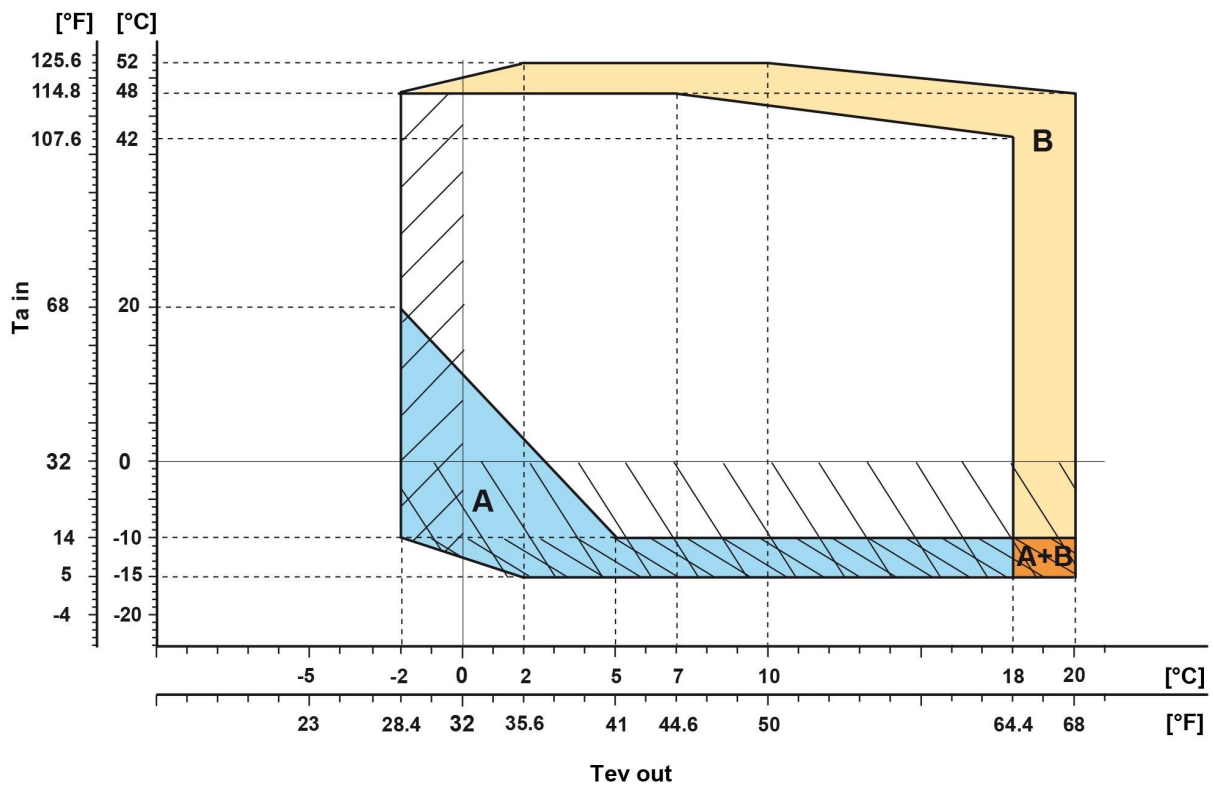
(2) Seasonal energy efficiency ratio

(3) Seasonal space cooling energy efficiency

The units highlighted in this publication contain HFO-1234ze [GWP<sub>100</sub> 7] fluorinated greenhouse gases.

Data certified in EUROVENT

/A 0252 - 1593  
/SL-A 0252 - 1593



**Ta in** Air temperature  
**Tev out** Evaporator leaving water temperature

- Standard units
- A Required: EC fans (code 808)\*
- Required: Kit HT (code 1955)
- A+B Required: EC fans (code 808)\*  
Kit HT (code 1955)
- Required: Antifreeze piping and pumps (code 2432)  
if hydronic kit is present
- Required: Double insultaion on heat exchangers (code 2631)  
or Double insulation on heat exchangers, pipes and  
pumps (code 2633) if hydronic kit is present
- Required: Negative fluid temperature (code 871)

The diagram shows the temperature limits of full load operation. In case of higher outdoor air temperature, automatically partialized its resources to ensure uninterrupted operation. Operating limits when working partialized (water \*/7°C - \*/44,6°F):  
/CA , /SL-CA : 55°C - 131°F  
With Kit HT (all versions): 57°C - 134,6°F

In case of outdoor air temperature higher than 53°C - 127,4°F, some additional cooling equipment for the electrical panel could be necessary. Please refer to our sales department for assessment and quotation.

Units with heat recovery: /D  
For the units with heat recovery, the maximum outdoor temperature allowed are 1,0°C - 1,8°F lower than the ones of the corresponding model without heat recovery.

\* EC fans are suitable to operate up to 46°C - 114,8°F of outdoor temperature. In case of higher temperatures, fans with oversized motors must be used.

For the specific temperature limits of each model please refer to the selection software ElcaWorld.

SIZE				
FX2-G04 /A /0252	FX2-G04 /A /0302	FX2-G04 /A /0322	FX2-G04 /A /0352	FX2-G04 /A /0402

SIZE	
FX2-G04 /A /0452	FX2-G04 /D /SL-A /0452
FX2-G04 /A /0512	FX2-G04 /D /SL-A /0512
FX2-G04 /A /0572	FX2-G04 /D /SL-A /0572
FX2-G04 /A /0652	FX2-G04 /D /SL-A /0652
FX2-G04 /A /0772	FX2-G04 /D /SL-A /0772
FX2-G04 /A /0902	FX2-G04 /D /SL-A /0902
FX2-G04 /A /0972	FX2-G04 /D /SL-A /0972
FX2-G04 /A /1052	FX2-G04 /D /SL-A /1052
FX2-G04 /A /1152	FX2-G04 /D /SL-A /1152
FX2-G04 /A /1243	FX2-G04 /D /SL-A /1243
FX2-G04 /A /1373	FX2-G04 /D /SL-A /1373
FX2-G04 /A /1503	FX2-G04 /D /SL-A /1503
FX2-G04 /A /1593	FX2-G04 /D /SL-A /1593
FX2-G04 /D /A /0252	
FX2-G04 /D /A /0302	
FX2-G04 /D /A /0322	
FX2-G04 /D /A /0352	
FX2-G04 /D /A /0402	
FX2-G04 /D /A /0452	
FX2-G04 /D /A /0512	
FX2-G04 /D /A /0572	
FX2-G04 /D /A /0652	
FX2-G04 /D /A /0772	
FX2-G04 /D /A /0902	
FX2-G04 /D /A /0972	
FX2-G04 /D /A /1052	
FX2-G04 /D /A /1152	
FX2-G04 /D /A /1243	
FX2-G04 /D /A /1373	
FX2-G04 /D /A /1503	
FX2-G04 /D /A /1593	
FX2-G04 /SL-A /0252	
FX2-G04 /SL-A /0302	
FX2-G04 /SL-A /0322	
FX2-G04 /SL-A /0352	
FX2-G04 /SL-A /0402	
FX2-G04 /SL-A /0452	
FX2-G04 /SL-A /0512	
FX2-G04 /SL-A /0572	
FX2-G04 /SL-A /0652	
FX2-G04 /SL-A /0772	
FX2-G04 /SL-A /0902	
FX2-G04 /SL-A /0972	
FX2-G04 /SL-A /1052	
FX2-G04 /SL-A /1152	
FX2-G04 /SL-A /1243	
FX2-G04 /SL-A /1373	
FX2-G04 /SL-A /1503	
FX2-G04 /SL-A /1593	
FX2-G04 /D /SL-A /0252	
FX2-G04 /D /SL-A /0302	
FX2-G04 /D /SL-A /0322	
FX2-G04 /D /SL-A /0352	
FX2-G04 /D /SL-A /0402	



**7.2 ETHYLENE GLYCOL MIXTURE**

Ethylene glycol and water mixture, used as a heat-conveying fluid, cause a variation in unit performance. For correct data, use the factors indicated in the following tabel.

	Freezing point (°C)							
	0	-5	-10	-15	-20	-25	-30	-35
	Ethylene glycol percentage by weight							
	0%	12%	20%	30%	35%	40%	45%	50%
cPf	1	0,985	0,98	0,974	0,97	0,965	0,964	0,96
cQ	1	1,02	1,04	1,075	1,11	1,14	1,17	1,2
cdp	1	1,07	1,11	1,18	1,22	1,24	1,27	1,3

cPf: cooling power correction factor  
 cQ: flow correction factor  
 cdp: pressure drop correction factor

For data concerning other kind of anti-freeze solutions (e.g. propylene glycol) please contact our Sale Department.

**7.3 FOULING FACTORS**

Performances are based on clean condition of tubes (fouling factor = 1). For different fouling values, performance should be adjusted using the correction factors shown in the following table.

SERIES	FOULING FACTORS	EVAPORATOR			CONDENSER/RECOVERY			DESUPERHEATER
	ff (m <sup>2</sup> °CW)	F1	FK1	KE [°C]	F2	FK2	KC [°C]	R3
VARIOUS	0	1,000	1,000	0,0	1,000	1,000	0,0	1,000
VARIOUS	1,80 x 10 <sup>-5</sup>	1,000	1,000	0,0	1,000	1,000	0,0	1,000
VARIOUS	4,40 x 10 <sup>-5</sup>	1,000	1,000	0,0	0,990	1,030	1,0	0,990
VARIOUS	8,80 x 10 <sup>-5</sup>	0,960	0,990	0,7	0,980	1,040	1,5	0,980
VARIOUS	13,20 x 10 <sup>-5</sup>	0,944	0,985	1,0	0,964	1,050	2,3	0,964
VARIOUS	17,20 x 10 <sup>-5</sup>	0,930	0,980	1,5	0,950	1,060	3,0	0,950

ff: fouling factors

F1 - F2: potential correction factors

FK1 - FK2: compressor power input correction factors

R3: capacity correction factors

KE: minimum evaporator outlet temperature increase

KC: maximum condenser outlet temperature decrease

## 8.1 HYDRAULIC DATA

[ SI System ]

### Water flow and pressure drop

Water flow in the plant (side) exchanger is given by:

$$Q = P / (4,186 \times Dt)$$

Q: water flow (l/s)

Dt: difference between inlet and outlet water temp. (°C)

P: heat exchanger capacity (kW)

Pressure drop is given by:

$$Dp = K \times (3,6 \times Q)^2 / 1000$$

Q: water flow (l/s)

Dp: pressure drop (kPa)

K: unit size ratio

SIZE	Power supply V/ph/Hz	HEAT EXCHANGER USER SIDE					HEAT RECOVERY EX. USER SIDE			
		K	Q min l/s	Q max l/s	C.A.S. l	C.a. min l	K	Q min l/s	Q max l/s	C.A.S. l
FX2-G04 /A /0252	400/3/50	19,7	7,222	16,67	85,0	900	-	-	-	-
FX2-G04 /A /0302	400/3/50	14,6	8,333	19,44	80,0	1000	-	-	-	-
FX2-G04 /A /0322	400/3/50	8,14	9,167	26,94	116	1100	-	-	-	-
FX2-G04 /A /0352	400/3/50	8,14	9,167	26,94	116	1300	-	-	-	-
FX2-G04 /A /0402	400/3/50	8,14	9,167	26,94	116	1400	-	-	-	-
FX2-G04 /A /0452	400/3/50	8,14	9,167	26,94	116	1600	-	-	-	-
FX2-G04 /A /0512	400/3/50	4,29	15,83	44,44	133	1800	-	-	-	-
FX2-G04 /A /0572	400/3/50	4,29	15,83	44,44	133	2000	-	-	-	-
FX2-G04 /A /0652	400/3/50	3,77	15,83	46,94	124	2400	-	-	-	-
FX2-G04 /A /0772	400/3/50	3,00	17,50	50,28	230	2700	-	-	-	-
FX2-G04 /A /0902	400/3/50	1,46	25,00	63,89	275	3200	-	-	-	-
FX2-G04 /A /0972	400/3/50	1,89	19,17	56,11	210	3400	-	-	-	-
FX2-G04 /A /1052	400/3/50	1,46	25,00	63,89	275	3700	-	-	-	-
FX2-G04 /A /1152	400/3/50	1,37	25,00	66,94	265	4000	-	-	-	-
FX2-G04 /A /1243	400/3/50	1,03	31,11	100,8	310	4300	-	-	-	-
FX2-G04 /A /1373	400/3/50	0,84	41,67	97,22	550	4800	-	-	-	-
FX2-G04 /A /1503	400/3/50	0,84	41,67	97,22	550	5200	-	-	-	-
FX2-G04 /A /1593	400/3/50	0,84	41,67	97,22	550	5500	-	-	-	-
FX2-G04 /D /A /0252	400/3/50	19,7	7,222	16,67	85,0	900	147	0,003	3,250	3,20
FX2-G04 /D /A /0302	400/3/50	14,6	8,333	19,44	80,0	1000	147	0,003	3,806	3,20
FX2-G04 /D /A /0322	400/3/50	8,14	9,167	26,94	116	1100	147	0,003	4,167	3,20
FX2-G04 /D /A /0352	400/3/50	8,14	9,167	26,94	116	1300	147	0,003	4,667	3,20
FX2-G04 /D /A /0402	400/3/50	8,14	9,167	26,94	116	1400	147	0,003	5,417	3,20
FX2-G04 /D /A /0452	400/3/50	8,14	9,167	26,94	116	1600	73,0	0,003	6,000	4,40
FX2-G04 /D /A /0512	400/3/50	4,29	15,83	44,44	133	1800	73,0	0,003	6,917	4,40
FX2-G04 /D /A /0572	400/3/50	4,29	15,83	44,44	133	2000	73,0	0,003	7,694	4,40
FX2-G04 /D /A /0652	400/3/50	3,77	15,83	46,94	124	2400	36,0	0,003	9,111	5,80
FX2-G04 /D /A /0772	400/3/50	3,00	17,50	50,28	230	2700	36,0	0,003	10,44	5,80
FX2-G04 /D /A /0902	400/3/50	1,46	25,00	63,89	275	3200	21,0	0,003	12,42	9,00
FX2-G04 /D /A /0972	400/3/50	1,89	19,17	56,11	210	3400	21,0	0,003	12,81	9,00
FX2-G04 /D /A /1052	400/3/50	1,46	25,00	63,89	275	3700	21,0	0,003	14,17	9,00
FX2-G04 /D /A /1152	400/3/50	1,37	25,00	66,94	265	4000	11,0	0,003	15,39	12,0
FX2-G04 /D /A /1243	400/3/50	1,03	31,11	100,8	310	4300	13,1	0,003	16,64	10,3
FX2-G04 /D /A /1373	400/3/50	0,84	41,67	97,22	550	4800	9,30	0,003	18,72	13,5
FX2-G04 /D /A /1503	400/3/50	0,84	41,67	97,22	550	5200	9,30	0,003	20,11	13,5
FX2-G04 /D /A /1593	400/3/50	0,84	41,67	97,22	550	5500	7,30	0,003	21,36	15,0
FX2-G04 /SL-A /0252	400/3/50	19,7	7,222	16,67	85,0	900	-	-	-	-
FX2-G04 /SL-A /0302	400/3/50	14,6	8,333	19,44	80,0	1000	-	-	-	-
FX2-G04 /SL-A /0322	400/3/50	8,14	9,167	26,94	116	1100	-	-	-	-
FX2-G04 /SL-A /0352	400/3/50	8,14	9,167	26,94	116	1300	-	-	-	-
FX2-G04 /SL-A /0402	400/3/50	8,14	9,167	26,94	116	1400	-	-	-	-

Q min: minimum water flow admitted to the heat exchanger  
 Q max: maximum water flow admitted to the heat exchanger  
 C.a. min: minimum water content admitted in the plant  
 C.A.S.: Exchanger water content

## HYDRAULIC DATA

[ SI System ]

SIZE	Power supply V/ph/Hz	HEAT EXCHANGER USER SIDE					HEAT RECOVERY EX. USER SIDE			
		K	Q min l/s	Q max l/s	C.A.S. l	C.a. min l	K	Q min l/s	Q max l/s	C.A.S. l
FX2-G04 /SL-A /0452	400/3/50	8,14	9,167	26,94	116	1600	-	-	-	-
FX2-G04 /SL-A /0512	400/3/50	4,29	15,83	44,44	133	1800	-	-	-	-
FX2-G04 /SL-A /0572	400/3/50	4,29	15,83	44,44	133	2000	-	-	-	-
FX2-G04 /SL-A /0652	400/3/50	3,77	15,83	46,94	124	2400	-	-	-	-
FX2-G04 /SL-A /0772	400/3/50	3,00	17,50	50,28	230	2700	-	-	-	-
FX2-G04 /SL-A /0902	400/3/50	1,89	19,17	56,11	210	3200	-	-	-	-
FX2-G04 /SL-A /0972	400/3/50	1,89	19,17	56,11	210	3400	-	-	-	-
FX2-G04 /SL-A /1052	400/3/50	1,46	25,00	63,89	275	3700	-	-	-	-
FX2-G04 /SL-A /1152	400/3/50	1,37	25,00	66,94	265	4000	-	-	-	-
FX2-G04 /SL-A /1243	400/3/50	1,03	31,11	100,8	310	4300	-	-	-	-
FX2-G04 /SL-A /1373	400/3/50	0,84	41,67	97,22	550	4800	-	-	-	-
FX2-G04 /SL-A /1503	400/3/50	0,84	41,67	97,22	550	5200	-	-	-	-
FX2-G04 /SL-A /1593	400/3/50	0,49	50,00	105,6	500	5500	-	-	-	-
FX2-G04 /D /SL-A /0252	400/3/50	19,7	7,222	16,67	85,0	900	147	0,003	3,250	3,20
FX2-G04 /D /SL-A /0302	400/3/50	14,6	8,333	19,44	80,0	1000	147	0,003	3,806	3,20
FX2-G04 /D /SL-A /0322	400/3/50	8,14	9,167	26,94	116	1100	147	0,003	4,167	3,20
FX2-G04 /D /SL-A /0352	400/3/50	8,14	9,167	26,94	116	1300	147	0,003	4,667	3,20
FX2-G04 /D /SL-A /0402	400/3/50	8,14	9,167	26,94	116	1400	147	0,003	5,417	3,20
FX2-G04 /D /SL-A /0452	400/3/50	8,14	9,167	26,94	116	1600	73,0	0,003	6,000	4,40
FX2-G04 /D /SL-A /0512	400/3/50	4,29	15,83	44,44	133	1800	73,0	0,003	6,917	4,40
FX2-G04 /D /SL-A /0572	400/3/50	4,29	15,83	44,44	133	2000	73,0	0,003	7,694	4,40
FX2-G04 /D /SL-A /0652	400/3/50	3,77	15,83	46,94	124	2400	36,0	0,003	9,111	5,80
FX2-G04 /D /SL-A /0772	400/3/50	3,00	17,50	50,28	230	2700	36,0	0,003	10,44	5,80
FX2-G04 /D /SL-A /0902	400/3/50	1,89	19,17	56,11	210	3200	21,0	0,003	12,42	9,00
FX2-G04 /D /SL-A /0972	400/3/50	1,89	19,17	56,11	210	3400	21,0	0,003	12,81	9,00
FX2-G04 /D /SL-A /1052	400/3/50	1,46	25,00	63,89	275	3700	21,0	0,003	14,17	9,00
FX2-G04 /D /SL-A /1152	400/3/50	1,37	25,00	66,94	265	4000	11,0	0,003	15,39	12,0
FX2-G04 /D /SL-A /1243	400/3/50	1,03	31,11	100,8	310	4300	13,1	0,003	16,64	10,3
FX2-G04 /D /SL-A /1373	400/3/50	0,84	41,67	97,22	550	4800	9,30	0,003	18,72	13,5
FX2-G04 /D /SL-A /1503	400/3/50	0,84	41,67	97,22	550	5200	9,30	0,003	20,11	13,5
FX2-G04 /D /SL-A /1593	400/3/50	0,49	50,00	105,6	500	5500	7,30	0,003	21,36	15,0

Q min: minimum water flow admitted to the heat exchanger  
 Q max: maximum water flow admitted to the heat exchanger  
 C.a. min: minimum water content admitted in the plant  
 C.A.S.: Exchanger water content

## 9.1 ELECTRICAL DATA

## FX2-G04 /A

[ SI System ]

SIZE	Power supply V/ph/Hz	Maximum values								
		n	Compressor			Fans (1)		Total (1)(2)		
			F.L.I. [kW]	F.L.A. [A]	L.R.A. [A]	F.L.I. [kW]	F.L.A. [A]	F.L.I. [kW]	F.L.A. [A]	S.A. [A]
0252	400/3/50	2	2x54	2x89	2x290	1,900	4	116,5	198	364,4
0302	400/3/50	2	2x62	2x103	2x350	1,900	4	133,7	226	428,9
0322	400/3/50	2	1x69+1x62	1x113+1x103	1x423+1x350	1,900	4	141,0	235	501,9
0352	400/3/50	2	2x69	2x113	2x423	1,900	4	150,2	248	510,7
0402	400/3/50	2	2x85	2x140	2x267	1,900	4	180,4	304	372,9
0452	400/3/50	2	2x96	2x160	2x314	1,900	4	204,7	347	437
0512	400/3/50	2	2x107	2x178	2x341	1,900	4	229,4	387	476,1
0572	400/3/50	2	2x107	2x178	2x341	1,900	4	229,4	387	476,1
0652	400/3/50	2	2x134	2x215	2x465	1,900	4	287,2	469	639,9
0772	400/3/50	2	2x156	2x257	2x586	1,900	4	334,6	561	795,7
0902	400/3/50	2	2x174	2x285	2x650	1,900	4	370,6	617	877,8
0972	400/3/50	2	2x174	2x285	2x650	1,900	4	374,4	625	885,6
1052	400/3/50	2	2x207	2x342	2x917	1,900	4	444,4	746	1202
1152	400/3/50	2	2x207	2x342	2x917	1,900	4	444,4	746	1202
1243	400/3/50	3	1x174+2x156	1x285+2x257	1x650+2x586	1,900	4	519,9	869	1469
1373	400/3/50	3	3x174	3x285	3x650	1,900	4	555,9	925	1551
1503	400/3/50	3	3x174	3x285	3x650	1,900	4	557,8	929	1555
1593	400/3/50	3	2x174+1x207	2x285+1x342	2x650+1x917	1,900	4	592,8	990	1826

F.L.I.: Full load power

F.L.A.: Full load current

L.R.A.: Locked rotor amperes for single compressor

S.A.: Inrush current

(1) Values calculated referring to the version with the maximum number of fans working at the max absorbed current

(1)(2) Safety values to be considered when cabling the unit for power supply and line-protections

Data valid for standard units without any additional option.

Plant (side) cooling exchanger water (in/out) 12,00°C/7,00°C; Source (side) heat exchanger air (in) 35,0°C.

Voltage tolerance: 10%

Maximum voltage unbalance: 3%

Give the typical operating conditions of units designed for outdoor installation, which can be associated (according to reference document IEC 60721) to the following classes:

- climatic conditions class 4K4H: air temperature range from -20 up to 55°C (\*), relative humidity range from 4 up to 100%, with possible precipitations, at air pressure from 70 and 106 kPa and a maximum solar radiation of 1120 W/m<sup>2</sup>

- special climatic conditions negligible

- biological conditions class 4B1 and 4C2: locations in a generic urban area

- mechanically active substances class 4S2: locations in areas with sand or dust representative of urban areas

- mechanical conditions class 4M1: locations protected from significant vibrations or shocks

The required protection level for safe operation, according to reference document IEC 60529, is IP43XW (protection against access, to the most critical unit's parts, of external devices with diameter larger than 1 mm and rain).

The unit can be considered IP44XW protected, i.e. protected against access of external devices (with diameter larger than 1 mm) and water in general.

(\*) for the unit's operating limits, see "selection limits" section

**ELECTRICAL DATA**

**FX2-G04 /SL-A**

[ SI System ]

SIZE	Power supply V/ph/Hz	Maximum values								
		n	Compressor			Fans (1)		Total (1)(2)		
			F.L.I. [kW]	F.L.A. [A]	L.R.A. [A]	F.L.I. [kW]	F.L.A. [A]	F.L.I. [kW]	F.L.A. [A]	S.A. [A]
0252	400/3/50	2	2x54	2x89	2x290	1,900	4	116,5	198	364,4
0302	400/3/50	2	2x62	2x103	2x350	1,900	4	133,7	226	428,9
0322	400/3/50	2	1x69+1x62	1x113+1x103	1x423+1x350	1,900	4	141,0	235	501,9
0352	400/3/50	2	2x69	2x113	2x423	1,900	4	150,2	248	510,7
0402	400/3/50	2	2x85	2x140	2x267	1,900	4	180,4	304	372,9
0452	400/3/50	2	2x96	2x160	2x314	1,900	4	206,6	351	440,9
0512	400/3/50	2	2x107	2x178	2x341	1,900	4	229,4	387	476,1
0572	400/3/50	2	2x107	2x178	2x341	1,900	4	229,4	387	476,1
0652	400/3/50	2	2x134	2x215	2x465	1,900	4	287,2	469	639,9
0772	400/3/50	2	2x156	2x257	2x586	1,900	4	334,6	561	795,7
0902	400/3/50	2	2x174	2x285	2x650	1,900	4	374,4	625	885,6
0972	400/3/50	2	2x174	2x285	2x650	1,900	4	374,4	625	885,6
1052	400/3/50	2	2x207	2x342	2x917	1,900	4	444,4	746	1202
1152	400/3/50	2	2x207	2x342	2x917	1,900	4	444,4	746	1202
1243	400/3/50	3	1x174+2x156	1x285+2x257	1x650+2x586	1,900	4	519,9	869	1469
1373	400/3/50	3	3x174	3x285	3x650	1,900	4	557,8	929	1555
1503	400/3/50	3	3x174	3x285	3x650	1,900	4	559,7	933	1559
1593	400/3/50	3	2x174+1x207	2x285+1x342	2x650+1x917	1,900	4	592,8	990	1826

F.L.I.: Full load power

F.L.A.: Full load current

L.R.A.: Locked rotor amperes for single compressor

S.A.: Inrush current

(1) Values calculated referring to the version with the maximum number of fans working at the max absorbed current

(1)(2) Safety values to be considered when cabling the unit for power supply and line-protections

Data valid for standard units without any additional option.

Plant (side) cooling exchanger water (in/out) 12,00°C/7,00°C; Source (side) heat exchanger air (in) 35,0°C.

Voltage tolerance: 10%

Maximum voltage unbalance: 3%

Give the typical operating conditions of units designed for outdoor installation, which can be associated (according to reference document IEC 60721) to the following classes:

- climatic conditions class 4K4H: air temperature range from -20 up to 55°C (\*), relative humidity range from 4 up to 100%, with possible precipitations, at air pressure from 70 and 106 kPa and a maximum solar radiation of 1120 W/m2

- special climatic conditions negligible

- biological conditions class 4B1 and 4C2: locations in a generic urban area

- mechanically active substances class 4S2: locations in areas with sand or dust representative of urban areas

- mechanical conditions class 4M1: locations protected from significant vibrations or shocks

The required protection level for safe operation, according to reference document IEC 60529, is IP43XW (protection against access, to the most critical unit's parts, of external devices with diameter larger than 1 mm and rain).

The unit can be considered IP44XW protected, i.e. protected against access of external devices (with diameter larger than 1 mm) and water in general.

(\*) for the unit's operating limits, see "selection limits" section

**ELECTRICAL DATA**

**MAXIMUM CABLES/BARS SECTION CONNECTED TO MAIN SWITCH AND SHORT TIME CURRENT STANDARD UNITS**

VERSIONS /A /SL-A	Main switch type (STD)	Main switch type (HT)	ICW (0,3s) Short time current rms (STD)	ICW (0,3s) Short time current rms (HT)	Further technical data	
			[kA]	[kA]	Cable section	Bar dimensions
SIZE					∅ [mm²]	□ [mm]
0252	SIRCO 3X400A	SIRCO 3X400A	25	25	<a href="https://www.google.com/url?sa=t&amp;rct=j&amp;q=&amp;esrc=s&amp;source=web&amp;cd=&amp;ved=2ahUKEwjBjMS5mNTqAhU3wsQBHUd9B5YQFjAEegQIBhAB&amp;url=https%3A%2F%2Fwww.socomec.com%2Ffiles%2Flive%2Fsites%2Fsystems%2Ffiles%2FDOCUMENTATION%2FCP_hors_cata%2Fdcg_102026.pdf&amp;usg=AOvVaw3ef7KoBiljtkDF2TyuwShZ">https://www.google.com/url?sa=t&amp;rct=j&amp;q=&amp;esrc=s&amp;source=web&amp;cd=&amp;ved=2ahUKEwjBjMS5mNTqAhU3wsQBHUd9B5YQFjAEegQIBhAB&amp;url=https%3A%2F%2Fwww.socomec.com%2Ffiles%2Flive%2Fsites%2Fsystems%2Ffiles%2FDOCUMENTATION%2FCP_hors_cata%2Fdcg_102026.pdf&amp;usg=AOvVaw3ef7KoBiljtkDF2TyuwShZ</a>	
0302						
0322						
0352						
0402						
0452	SIRCO AC 3X630A	SIRCO AC 3X630A	27	27		
0512						
0572						
0652	SIRCO CD 3X800A	SIRCO CD 3X800A	50	50		
0772						
0902						
0972	SIRCO CD 3X1000A	SIRCO CD 3X1000A	50	50		
1052						
1152	SIRCO CD 3X1250A	SIRCO CD 3X1250A	50	50		
1243						
1373						
1503						
1593		VC5P3x1600A				

Electrical data valid for units without any additional option

Voltage tolerance: 10%  
Maximum voltage unbalance: 3%

## ELECTRICAL DATA

VERSIONS /E /SL-E	Main switch type (STD)	Main switch type (HT)	ICW (0,3s) Short time current rms (STD)	ICW (0,3s) Short time current rms (HT)	Further technical data	
			[kA]	[kA]	Cable section	Bar dimensions
SIZE					∅ [mm <sup>2</sup> ]	□ [mm]
0352	SIRCO 3X400A	SIRCO 3X400A	25	25	<a href="https://www.google.com/url?sa=t&amp;rct=j&amp;q=&amp;esrc=s&amp;source=web&amp;cd=&amp;ved=2ahUKEwjBjMS5mNTqAhU3wsQBHUd9B5YQFjAEegQIBhAB&amp;url=https%3A%2F%2Fwww.socomec.com%2Ffiles%2Flive%2Fsites%2Fsystemsite%2Ffiles%2FDOCUMENTATION%2FCP_hors_cata%2Fdcg_102026.pdf&amp;usg=AOvVaw3ef7KoBiljtkDF2TyuwShZ">https://www.google.com/url?sa=t&amp;rct=j&amp;q=&amp;esrc=s&amp;source=web&amp;cd=&amp;ved=2ahUKEwjBjMS5mNTqAhU3wsQBHUd9B5YQFjAEegQIBhAB&amp;url=https%3A%2F%2Fwww.socomec.com%2Ffiles%2Flive%2Fsites%2Fsystemsite%2Ffiles%2FDOCUMENTATION%2FCP_hors_cata%2Fdcg_102026.pdf&amp;usg=AOvVaw3ef7KoBiljtkDF2TyuwShZ</a>	
0402						
0452						
0472						
0572	SIRCO AC 3X630A	SIRCO AC 3X630A	27	27		
0602						
0652						
0702						
0772		SIRCO CD 3X800A	27	27		
0852		SIRCO CD 3X800A				
0902	SIRCO CD 3X1000A	SIRCO CD 3X1000A	50	50		
1002						
1052	SIRCO CD 3X1250A	SIRCO CD 3X1250A	50	50		
1152						
1222						
1322						
1402	SIRCO CD 3X1250A					

Electrical data valid for units without any additional option

Voltage tolerance: 10%

Maximum voltage unbalance: 3%

10.1 FULL LOAD SOUND LEVEL

FX2-G04 /A

SOUND POWER LEVEL IN COOLING									
SIZE	Octave band [Hz]								Total sound level dB(A)
	63	125	250	500	1000	2000	4000	8000	
	Sound power level dB								
0252	89	96	97	96	94	88	81	71	98
0302	90	97	98	97	95	89	82	72	99
0322	90	97	98	97	95	89	82	72	99
0352	91	98	99	98	96	90	83	73	100
0402	91	98	99	98	96	90	83	73	100
0452	91	98	99	98	96	90	83	73	100
0512	91	98	99	98	96	90	83	73	100
0572	93	100	101	100	98	92	85	75	102
0652	93	100	101	100	98	92	85	75	102
0772	94	101	102	101	99	93	86	76	103
0902	95	102	103	102	100	94	87	77	104
0972	95	102	103	102	100	94	87	77	104
1052	97	104	105	104	102	96	89	78	106
1152	97	104	105	104	102	96	89	78	106
1243	97	104	105	104	102	96	89	78	106
1373	97	104	105	104	102	96	89	78	106
1503	97	104	105	104	102	96	89	78	106
1593	97	104	105	104	102	96	89	78	106

Working conditions

Plant (side) cooling exchanger water (in/out) 12,00°C/7,00°C; Source (side) heat exchanger air (in) 35,0°C.  
 Sound power on the basis of measurements taken in compliance with ISO 9614.  
 Such certification refers specifically to the sound Power Level in dB(A). This is therefore the only acoustic data to be considered as binding.  
 Sound power level in cooling, outdoors.

SOUND PRESSURE LEVEL									
SIZE	Octave band [Hz]								Total sound level dB(A)
	63	125	250	500	1000	2000	4000	8000	
	Sound pressure level dB								
0252	57	64	65	64	62	56	49	39	66
0302	58	65	66	65	63	57	50	40	67
0322	58	65	66	65	63	57	50	40	67
0352	59	66	67	66	64	58	51	41	68
0402	59	66	67	66	64	58	51	41	68
0452	59	66	67	66	64	58	51	41	68
0512	59	66	67	66	64	58	51	41	68
0572	61	68	69	68	66	60	53	43	70
0652	60	67	68	67	65	59	52	42	69
0772	61	68	69	68	66	60	53	43	70
0902	62	69	70	69	67	61	54	44	71
0972	62	69	70	69	67	61	54	44	71
1052	64	71	72	71	69	63	56	45	73
1152	64	71	72	71	69	63	56	45	73
1243	64	71	72	71	69	63	56	45	73
1373	64	71	72	71	69	63	56	45	73
1503	64	71	72	71	69	63	56	45	73
1593	64	71	72	71	69	63	56	45	73

Working conditions

Plant (side) cooling exchanger water (in/out) 12,00°C/7,00°C; Source (side) heat exchanger air (in) 35,0°C.  
 Average sound pressure level at 10m distance, unit in a free field on a reflective surface; non-binding value calculated from the sound power level.





**FULL LOAD SOUND LEVEL**

**FX2-G04 /SL-A**

<b>SOUND POWER LEVEL IN COOLING</b>									
SIZE	Octave band [Hz]								Total sound level dB(A)
	63	125	250	500	1000	2000	4000	8000	
	Sound power level dB								
0252	79	77	80	84	85	76	64	57	87
0302	79	77	80	84	85	76	64	57	87
0322	79	77	80	84	85	76	64	57	87
0352	80	78	81	85	86	77	65	58	88
0402	81	79	82	86	87	78	66	59	89
0452	81	79	82	86	87	78	66	59	89
0512	81	79	82	86	87	78	66	59	89
0572	82	81	85	87	88	76	66	58	90
0652	84	83	86	88	89	77	67	59	91
0772	85	84	87	89	90	78	68	60	92
0902	86	85	88	90	91	79	69	61	93
0972	86	85	89	92	92	79	69	61	94
1052	86	85	89	92	92	79	69	61	94
1152	86	85	89	92	92	79	69	61	94
1243	86	85	89	92	92	79	69	61	94
1373	86	85	89	92	92	79	69	61	94
1503	88	87	90	93	93	80	70	62	95
1593	88	87	90	93	93	80	70	62	95

**Working conditions**

Plant (side) cooling exchanger water (in/out) 12,00°C/7,00°C; Source (side) heat exchanger air (in) 35,0°C.

Sound power on the basis of measurements taken in compliance with ISO 9614.

Such certification refers specifically to the sound Power Level in dB(A). This is therefore the only acoustic data to be considered as binding.

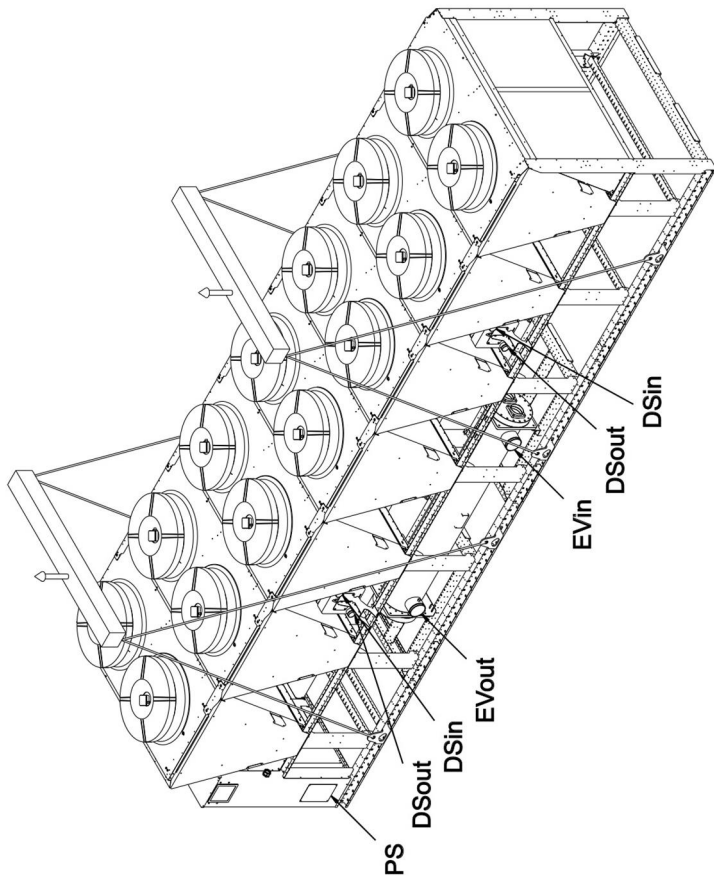
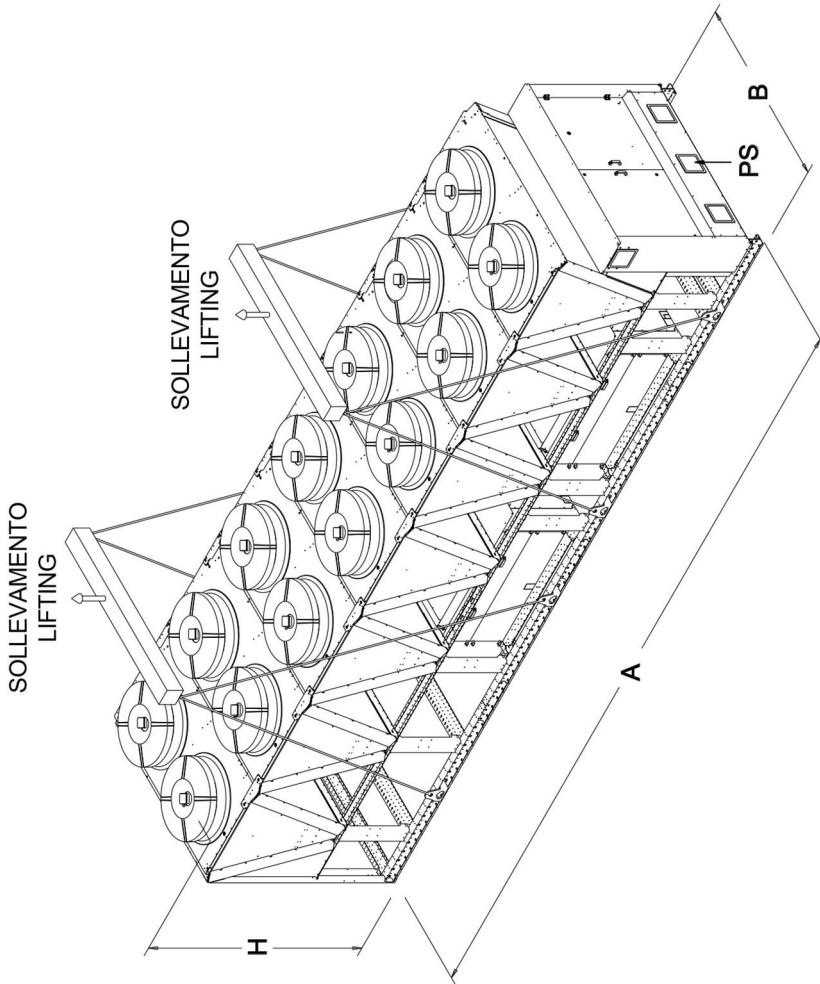
Sound power level in cooling, outdoors.

<b>SOUND PRESSURE LEVEL</b>									
SIZE	Octave band [Hz]								Total sound level dB(A)
	63	125	250	500	1000	2000	4000	8000	
	Sound pressure level dB								
0252	47	45	48	52	53	44	32	25	55
0302	47	45	48	52	53	44	32	25	55
0322	47	45	48	52	53	44	32	25	55
0352	48	46	49	53	54	45	33	26	56
0402	49	47	50	54	55	46	34	27	57
0452	49	47	50	54	55	46	34	27	57
0512	49	47	50	54	55	46	34	27	57
0572	50	49	53	55	56	44	34	26	58
0652	51	50	53	55	56	44	34	26	58
0772	52	51	54	56	57	45	35	27	59
0902	53	52	55	57	58	46	36	28	60
0972	53	52	56	59	59	46	36	28	61
1052	53	52	56	59	59	46	36	28	61
1152	53	52	56	59	59	46	36	28	61
1243	53	52	56	59	59	46	36	28	61
1373	53	52	56	59	59	46	36	28	61
1503	55	54	57	60	60	47	37	29	62
1593	55	54	57	60	60	47	37	29	62

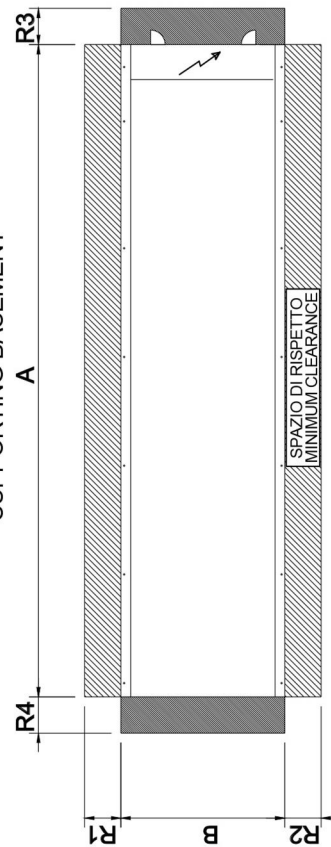
**Working conditions**

Plant (side) cooling exchanger water (in/out) 12,00°C/7,00°C; Source (side) heat exchanger air (in) 35,0°C.

Average sound pressure level at 10m distance, unit in a free field on a reflective surface; non-binding value calculated from the sound power level.



BASE D'APPoggio  
SUPPORTING BASEMENT



- EVin Entrata acqua evaporatore  
Evaporator water inlet
- EVout Uscita acqua evaporatore  
Evaporator water outlet
- DSin Entrata acqua desurriscaldatore (solo per versione /D)  
Desuperheater water inlet (only for "/D" version)
- DSout Uscita acqua desurriscaldatore (solo per versione /D)  
Desuperheater water outlet (only for "/D" version)
- PS Ingresso linea di alimentazione elettrica  
Power supply cable inlet

REMARKS: For installation purposes, please refer to the documentation sent after the purchase contract. This technical data should be considered as indicative. Mitsubishi Electric Hydraulics & IT Cooling Systems S.p.A. may modify them at any moment. Data valid for standard units without any additional option.

**DIMENSIONAL DRAWINGS**

**FX2-G04 0252 - 1593**

[ SI System ]

SIZE	DIMENSIONS AND WEIGHTS				CLEARANCE				HEAT EXCHANGER USER SIDE		HEAT RECOVERY EX. USER SIDE	
	A	B	H	WEIGHT	R1	R2	R3	R4	IN/OUT		IN/OUT	
	[mm]	[mm]	[mm]	[kg]	[mm]	[mm]	[mm]	[mm]	TYPE	Ø	TYPE	Ø
FX2-G04 /A /0252	4000	2260	2640	3540	2000	2300	1500	1500	H	4"	-	-
FX2-G04 /A /0302	4000	2260	2640	3560	2000	2300	1500	1500	H	4"	-	-
FX2-G04 /A /0322	4000	2260	2640	3660	2000	2300	1500	1500	H	5"	-	-
FX2-G04 /A /0352	4000	2260	2640	3810	2000	2300	1500	1500	H	5"	-	-
FX2-G04 /A /0402	4000	2260	2640	4470	2000	2300	1500	1500	H	5"	-	-
FX2-G04 /A /0452	5250	2260	2640	4990	2000	2300	1500	1500	H	5"	-	-
FX2-G04 /A /0512	5250	2260	2640	5190	2000	2300	1500	1500	H	6"	-	-
FX2-G04 /A /0572	5250	2260	2640	5250	2000	2300	1500	1500	H	6"	-	-
FX2-G04 /A /0652	6500	2260	2640	6710	2000	2300	1500	1500	H	6"	-	-
FX2-G04 /A /0772	7750	2260	2640	7650	2000	2300	1500	1500	H	6"	-	-
FX2-G04 /A /0902	7750	2260	2640	7900	2000	2300	1500	1500	H	8"	-	-
FX2-G04 /A /0972	9000	2260	2640	8340	2000	2300	1500	1500	H	6"	-	-
FX2-G04 /A /1052	10400	2260	2640	9370	2000	2300	1500	1500	H	8"	-	-
FX2-G04 /A /1152	10400	2260	2640	9440	2000	2300	1500	1500	H	8"	-	-
FX2-G04 /A /1243	11650	2260	2640	11380	2000	2300	1500	1500	H	8"	-	-
FX2-G04 /A /1373	11650	2260	2640	12070	2000	2300	1500	1500	H	8"	-	-
FX2-G04 /A /1503	12900	2260	2640	12680	2000	2300	1500	1500	H	8"	-	-
FX2-G04 /A /1593	12900	2260	2640	12930	2000	2300	1500	1500	H	8"	-	-
FX2-G04 /D /A /0252	4000	2260	2640	3620	1500	2300	1500	1500	H	4"	F1	2"
FX2-G04 /D /A /0302	4000	2260	2640	3640	1500	2300	1500	1500	H	4"	F1	2"
FX2-G04 /D /A /0322	4000	2260	2640	3740	1500	2300	1500	1500	H	5"	F1	2"
FX2-G04 /D /A /0352	4000	2260	2640	3890	1500	2300	1500	1500	H	5"	F1	2"
FX2-G04 /D /A /0402	4000	2260	2640	4550	1500	2300	1500	1500	H	5"	F1	2"
FX2-G04 /D /A /0452	5250	2260	2640	5080	1500	2300	1500	1500	H	5"	F1	2"
FX2-G04 /D /A /0512	5250	2260	2640	5280	1500	2300	1500	1500	H	6"	F1	2"
FX2-G04 /D /A /0572	5250	2260	2640	5340	1500	2300	1500	1500	H	6"	F1	2"
FX2-G04 /D /A /0652	6500	2260	2640	6800	1500	2300	1500	1500	H	6"	F1	2"
FX2-G04 /D /A /0772	7750	2260	2640	7740	1500	2300	1500	1500	H	6"	F1	2"
FX2-G04 /D /A /0902	7750	2260	2640	8010	1500	2300	1500	1500	H	8"	F1	2 1/2"
FX2-G04 /D /A /0972	9000	2260	2640	8460	1500	2300	1500	1500	H	6"	F1	2 1/2"
FX2-G04 /D /A /1052	10400	2260	2640	9490	1500	2300	1500	1500	H	8"	F1	2 1/2"
FX2-G04 /D /A /1152	10400	2260	2640	9570	1500	2300	1500	1500	H	8"	F1	2 1/2"
FX2-G04 /D /A /1243	11650	2260	2640	11520	1500	2300	1500	1500	H	8"	F1	2 1/2"
FX2-G04 /D /A /1373	11650	2260	2640	12230	1500	2300	1500	1500	H	8"	F1	2 1/2"
FX2-G04 /D /A /1503	12900	2260	2640	12850	1500	2300	1500	1500	H	8"	F1	2 1/2"
FX2-G04 /D /A /1593	12900	2260	2640	13110	1500	2300	1500	1500	H	8"	F1	2 1/2"
FX2-G04 /SL-A /0252	4000	2260	2640	3810	2000	2300	1500	1500	H	4"	-	-
FX2-G04 /SL-A /0302	4000	2260	2640	3830	2000	2300	1500	1500	H	4"	-	-
FX2-G04 /SL-A /0322	4000	2260	2640	3930	2000	2300	1500	1500	H	5"	-	-
FX2-G04 /SL-A /0352	4000	2260	2640	4080	2000	2300	1500	1500	H	5"	-	-
FX2-G04 /SL-A /0402	4000	2260	2640	4930	2000	2300	1500	1500	H	5"	-	-
FX2-G04 /SL-A /0452	5250	2260	2640	5620	2000	2300	1500	1500	H	5"	-	-
FX2-G04 /SL-A /0512	5250	2260	2640	5720	2000	2300	1500	1500	H	6"	-	-
FX2-G04 /SL-A /0572	5250	2260	2640	5780	2000	2300	1500	1500	H	6"	-	-
FX2-G04 /SL-A /0652	6500	2260	2640	7320	2000	2300	1500	1500	H	6"	-	-
FX2-G04 /SL-A /0772	7750	2260	2640	8270	2000	2300	1500	1500	H	6"	-	-
FX2-G04 /SL-A /0902	9000	2260	2640	8910	2000	2300	1500	1500	H	6"	-	-
FX2-G04 /SL-A /0972	9000	2260	2640	8980	2000	2300	1500	1500	H	6"	-	-
FX2-G04 /SL-A /1052	10400	2260	2640	10010	2000	2300	1500	1500	H	8"	-	-
FX2-G04 /SL-A /1152	10400	2260	2640	10080	2000	2300	1500	1500	H	8"	-	-
FX2-G04 /SL-A /1243	11650	2260	2640	12300	2000	2300	1500	1500	H	8"	-	-
FX2-G04 /SL-A /1373	12900	2260	2640	13620	2000	2300	1500	1500	H	8"	-	-

**DIMENSIONAL DRAWINGS**

**FX2-G04 0252 - 1593**

[ SI System ]

SIZE	DIMENSIONS AND WEIGHTS				CLEARANCE				HEAT EXCHANGER USER SIDE		HEAT RECOVERY EX. USER SIDE	
	A	B	H	WEIGHT	R1	R2	R3	R4	IN/OUT		IN/OUT	
	[mm]	[mm]	[mm]	[kg]	[mm]	[mm]	[mm]	[mm]	TYPE	Ø	TYPE	Ø
FX2-G04 /SL-A /1503	12900	2260	2640	13740	2000	2300	1500	1500	H	8"	-	-
FX2-G04 /SL-A /1593	12900	2260	2640	13880	2000	2300	1500	1500	H	8"	-	-
FX2-G04 /D /SL-A /0252	4000	2260	2640	3890	1500	2300	1500	1500	H	4"	F1	2"
FX2-G04 /D /SL-A /0302	4000	2260	2640	3910	1500	2300	1500	1500	H	4"	F1	2"
FX2-G04 /D /SL-A /0322	4000	2260	2640	4010	1500	2300	1500	1500	H	5"	F1	2"
FX2-G04 /D /SL-A /0352	4000	2260	2640	4160	1500	2300	1500	1500	H	5"	F1	2"
FX2-G04 /D /SL-A /0402	4000	2260	2640	5010	1500	2300	1500	1500	H	5"	F1	2"
FX2-G04 /D /SL-A /0452	5250	2260	2640	5710	1500	2300	1500	1500	H	5"	F1	2"
FX2-G04 /D /SL-A /0512	5250	2260	2640	5800	1500	2300	1500	1500	H	6"	F1	2"
FX2-G04 /D /SL-A /0572	5250	2260	2640	5870	1500	2300	1500	1500	H	6"	F1	2"
FX2-G04 /D /SL-A /0652	6500	2260	2640	7410	1500	2300	1500	1500	H	6"	F1	2"
FX2-G04 /D /SL-A /0772	7750	2260	2640	8360	1500	2300	1500	1500	H	6"	F1	2"
FX2-G04 /D /SL-A /0902	9000	2260	2640	9020	1500	2300	1500	1500	H	6"	F1	2 1/2"
FX2-G04 /D /SL-A /0972	9000	2260	2640	9090	1500	2300	1500	1500	H	6"	F1	2 1/2"
FX2-G04 /D /SL-A /1052	10400	2260	2640	10130	1500	2300	1500	1500	H	8"	F1	2 1/2"
FX2-G04 /D /SL-A /1152	10400	2260	2640	10210	1500	2300	1500	1500	H	8"	F1	2 1/2"
FX2-G04 /D /SL-A /1243	11650	2260	2640	12450	1500	2300	1500	1500	H	8"	F1	2 1/2"
FX2-G04 /D /SL-A /1373	12900	2260	2640	13790	1500	2300	1500	1500	H	8"	F1	2 1/2"
FX2-G04 /D /SL-A /1503	12900	2260	2640	13910	1500	2300	1500	1500	H	8"	F1	2 1/2"
FX2-G04 /D /SL-A /1593	12900	2260	2640	14050	1500	2300	1500	1500	H	8"	F1	2 1/2"

**DIMENSIONAL DRAWINGS**

**LEGEND OF PIPE CONNECTIONS**



**TYPE = F**  
Grooved coupling with male threaded counter-pipe user side



**TYPE = H**  
Grooved coupling with weld end counter-pipe user side

NOMINAL PIPE SIZE	PIPE OUTSIDE DIAMETER
ø inches	ø mm
¾	26,7
1	33,7
1 ¼	42,4
1 ½	48,3
2	60,3
2 ½	76,1
3	88,9
3 ½	101,6

NOMINAL PIPE SIZE	PIPE OUTSIDE DIAMETER
ø inches	ø mm
4	114,3
4 ½	127,0
5	139,7
6	168,3
8	219,1
10	273,0
12	323,9
14	355,6

**UNI ISO 228/13**

Pipe threads where pressure-tight joints are not made on the threads - Designation, dimensions and tolerances

**Used terminology:**

G: Pipe threads where pressure-tight joints are not made on the threads

A: Close tolerance class for external pipe threads where pressure-tight joints are not made on the threads

B: Wider tolerance class for external pipe threads where pressure-tight joints are not made on the threads

Internal threads: G letter followed by thread mark (only tolerance class)

External threads: G letter followed by thread mark and by A letter for A class external threads or by B letter for B class external threads.

**UNI EN 10226-1**

Pipe threads where pressure-tight joints are made on the threads - Designation, dimensions and tolerances

**Used terminology:**

Rp: Internal cylindrical threads where pressure-tight joints are made on the threads

Rc: Internal conical threads where pressure-tight joints are made on the threads

R: External conical threads where pressure-tight joints are made on the threads

Internal cylindrical threads: R letter followed by p letter

Internal conical threads: R letter followed by c letter

External conical threads: R letter

DESIGNATION	DESCRIPTION
UNI EN 10226-1 - Rp 1 1/2	Internal cylindrical threads where pressure-tight joints are made on the threads, defined by standard UNI ISO 7/1 Conventional ø 1 1/2"
UNI EN 10226-1 - Rp 2 1/2	Internal cylindrical threads where pressure-tight joints are made on the threads, defined by standard UNI ISO 7/1 Conventional ø 2 1/2"
UNI EN 10226-1 - Rp 3	Internal cylindrical threads where pressure-tight joints are made on the threads, defined by standard UNI ISO 7/1 Conventional ø 3"
UNI EN 10226-1 - R 3	External conical threads where pressure-tight joints are made on the threads, defined by standard UNI ISO 7/1 Conventional ø 3"
UNI ISO 228/1 - G 4 B	Internal cylindrical threads where pressure-tight joints are not made on the threads, defined by standard UNI ISO 228/1 Tolerance class B for external thread Conventional ø 4"
DN 80 PN 16	Flange Nominal Diameter: 80 mm Nominal Pressure: 16 bar

**NOTE:**

Conventional diameter value [in inches] identifies short thread designation, based upon the relative standard.

All relative values are defined by standards.

As example, here below some values:

	UNI EN 10226-1	UNI ISO 228/1
Conventional ø	1"	1"
Pitch	2.309 mm	2.309 mm
External ø	33.249 mm	33.249 mm
Core ø	30.291 mm	30.291 mm
Thread height	1.479 mm	1.479 mm

## 12.1 HYDRONIC GROUP

### 12.1 HYDRONIC MODULE

The units can be fitted with the hydronic module includes the main water circuit components, thus optimizing water circuit and electrical installation space, times and costs.

The built-in hydronic module is available as option with twin in-line pump, for achieving low head or high head, fixed or variable speed.

The standard configuration of the units feature:

- Terminals for external pumps control (relays + 0-10V signal)
- Differential pressure switch (on heat exchanger)
- discharge valves on exchanger
- purge valve

For the hydronic modules with pumps, the factory-mounted components are:

- 2 pumps, 2 poles low or high head, fixed speed or variable speed (inverter)
- Pump suction and discharge valves
- One-way valve (Clapet type for in-line pumps)
- Purge valve
- Drain plug
- Differential pressure switch (on heat exchanger)
- Drain valve (on heat exchanger)

The second pump operates in stand-by to the first.

The relative operating hours of the two pumps are balanced. In case the operating pump breaks down, the reserve pump is automatically enabled.

The electrical panel of the unit is protected with fuses and contactors with thermals cut-out.

Suction, volute and discharge of each pump and all the water pipes are covered with an insulation lining in closed-cell reticulated foam in PE of 15 mm.

The hydronic group is protected by a self-ventilated enclosure. In silenced units (/SL versions and units with Noise Reducer (code 2315)), the enclosure is acoustically insulated by a 30 mm thick lining of polyester fibers (Fiberform).

Note: the use of 2 pole pumps in super low noise units (/SL versions) increases the sound power by 1 dB(A).

### 12.1 IN-LINE PUMPS

#### Low or high head pumps

Grundfos single-stage, close-coupled, volute twin-head pump with in-line suction and discharge ports. The pump housing and the impeller are made of cast iron, with optimized design to improve the efficiency. The twin-head pumps are designed with two parallel power heads. Each power head is fitted with a fan-cooled asynchronous motor of identical size. Motor and pump shafts are connected via a rigid two-part coupling. The pumps are of the top-pull-out design, i.e. you can remove the power head (motor, pump head and impeller) for maintenance or service while the pump housing remains in the pipework.

Pump housing and pump head are electrocoated to improve the corrosion resistance. The flanges have tappings for mounting of pressure gauges. The central part of the motor stool is provided with guards for protection against the shaft and coupling.

The shaft seal is in accordance with EN 12756. Pipework connection is via PN 16 DIN flanges (EN 1092-2 and ISO 7005-2).

The pump is fitted with an unbalanced rubber bellows seal with torque transmission across the spring and around the bellows. Due to the bellows, the seal does not wear the shaft, and the axial movement is not prevented by deposits on the shaft.

Primary seal:

- Rotating seal ring material: Silicon carbide (SiC)
- Stationary seat material: Silicon carbide (SiC)

This material pairing is used where higher corrosion resistance is required. The high hardness of this material pairing offers good resistance against abrasive particles.

Secondary seal material: EPDM (ethylene-propylene rubber). EPDM has excellent resistance to hot water.

A circulation of liquid through the duct of the air vent screw ensures lubrication and cooling of the shaft seal.

The twin-head pumps are connected in parallel. A non-return flap valve in the common outlet port is opened by the flow of the pumped liquid and prevents backflow of liquid into the idle pump head. The pump housing is provided with a replaceable bronze neck ring to reduce the amount of liquid running from the discharge side of the

impeller to the suction side.

The pumps are fitted with high efficiency motors classified as IE3 in accordance with IEC 60034-30. The fan-cooled motors are totally enclosed, with main dimensions to IEC and DIN standards. Electrical tolerances comply with IEC 60034. Insulation class F (IEC 85). These motors show high efficiency, thus minimizing the energy consumption. The motor can be driven via a variable frequency drive for variable speed operation.



### 12.2 VARIABLE FREQUENCY DRIVE

#### For pump speed control

Mitsubishi Electric frequency converters, with IP55 protection rating for rough environment. The drives, one for each pump, are cooled by built-in fans and installed with a dedicated enclosure.

The fast-response speed control combined with the advanced auto-tuning function ensures safe and accurate operation in any condition.

Optimum control of the excitation current maximizes motor efficiency for additional energy savings.

The drive features built-in EMC filter (EN 61800-3, 1st Environment, Category C2) and DC link choke to significantly reduce electromagnetic noise and current harmonic distortion THDi.

### 12.2 OTHER COMPONENTS

The following components are excluded from the hydronic kit supply, but their use is mandatory for the correct unit and system operation.

These components are available as accessories and supplied loose, it shall be the customer responsibility to install them.

- Unit inlet water filter
- Unit outlet flow-switch

It is also recommended the use of the following components:

- Unit inlet and outlet pressure gauges
- Shut-off valves
- Flexible joints on piping

#### Possible configurations

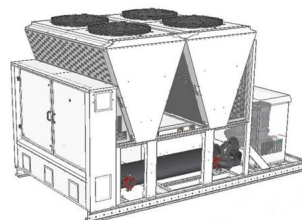
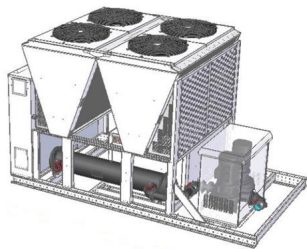
PUMP GROUP	Versions	
	A	SL-A
HYDRONIC KIT 2 PUMPS 2 POLES LH(4711)	X	X
HYDRONIC KIT 2 PUMPS 2P HH(4712)	X	X
2 PUMPS 2 POLES LH + VPF(4722)	X	X

PUMP GROUP	Versions	
	A	SL-A
2 PUMPS 2 POLES HH + VPF(4723)	X	X

## HYDRONIC GROUP

UNITA' CON KIT IDRONICO  
UNITS WITH HYDRONIC GROUP

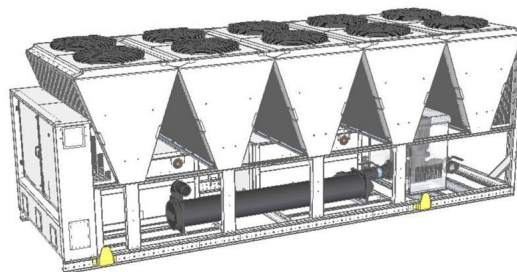
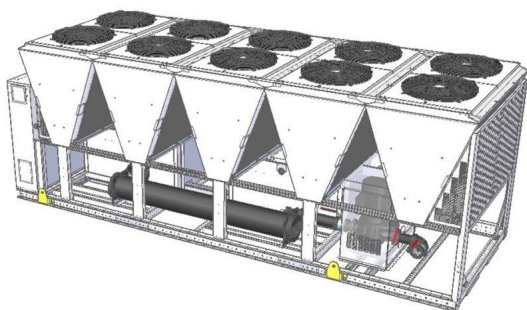
KIT IDRONICO SU PROLUNGAMENTO STRUTTURA - POMPE IN-LINE  
HYDRONIC KIT ON FRAME EXTENSION - IN-LINE PUMPS



- L'immagine è puramente indicativa.  
- Pictures shown are for illustration purpose only.

---

KIT IDRONICO INTERNO - POMPE IN-LINE  
INTERNAL HYDRONIC KIT - IN-LINE PUMPS



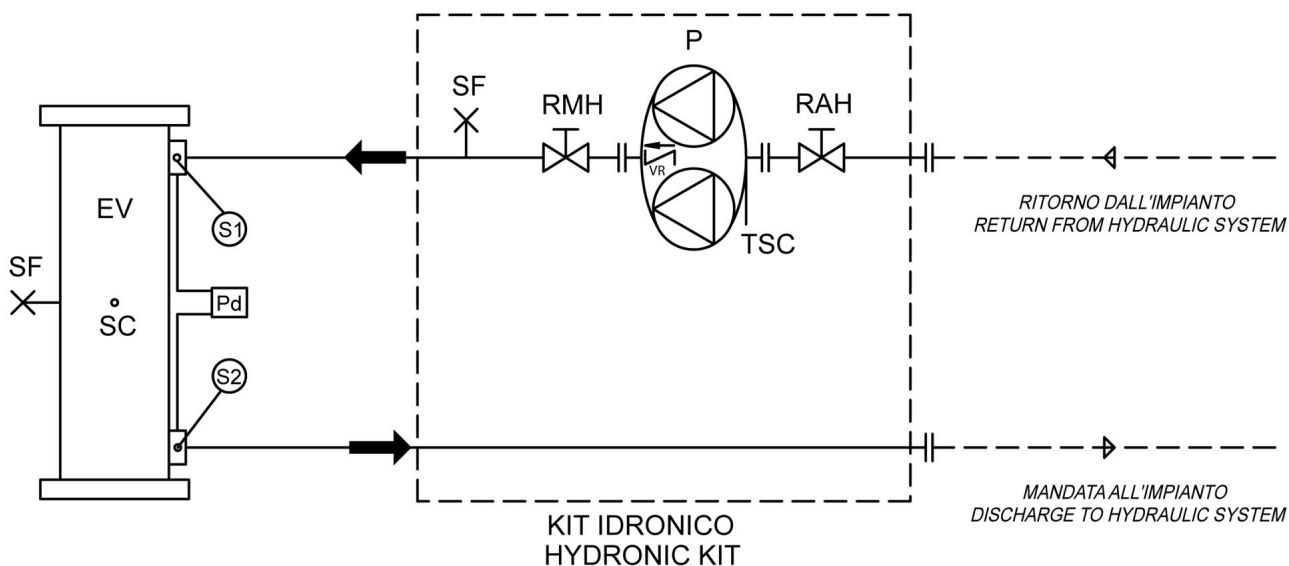
- L'immagine è puramente indicativa.  
- Pictures shown are for illustration purpose only.

---



## HYDRONIC GROUP

Schema idraulico pompe IN-LINE - configurazione STD  
 Hydraulic diagram IN-LINE water PUMPS – STD configuration



LEGENDA - LEGEND	
<i>COMPONENTI DEL KIT IDRONICO</i> <i>COMPONENTS OF THE HYDRONIC KIT</i>	
EV	Evaporatore (scambiatore a fascio tubiero) Evaporator (tube exchanger)
P	Pompa gemellare Twin rotor pump
Pd	Pressostato differenziale lato acqua Water Differential pressure switch
RAH	Rubinetto aspirazione Pump suction valve
RMH	Rubinetto mandata Pump discharge valve
SC	Valvola di scarico Drain valve
TSC	Tappo di scarico Drain plug
SF	Valvola di sfiato Purge valve
S1	Sonda ingresso acqua scambiatore Exchanger water inlet probe
S2	Sonda uscita acqua scambiatore Exchanger water outlet probe
VR	Valvola di non ritorno (interna alla pompa) One way valve (pump inside)

# HYDRONIC GROUP

## Hydronic kit positioning

	Version	HYDRONIC KIT 2 PUMPS 2 POLES LH (4711)				HYDRONIC KIT 2 PUMPS 2P HH (4712)				2 PUMPS 2 POLES LH + VPF (4722)				2 PUMPS 2 POLES HH + VPF (4723)			
		extra L [mm]	extra W [mm]	extra H [mm]	extra WGT [kg]	extra L [mm]	extra W [mm]	extra H [mm]	extra WGT [kg]	extra L [mm]	extra W [mm]	extra H [mm]	extra WGT [kg]	extra L [mm]	extra W [mm]	extra H [mm]	extra WGT [kg]
0252	A	/	/	/	380	/	/	/	452	500	/	/	430	500	/	/	507
	SL-A	/	/	/	380	/	/	/	452	500	/	/	430	500	/	/	507
0302	A	/	/	/	390	/	/	/	452	500	/	/	440	500	/	/	507
	SL-A	/	/	/	390	/	/	/	452	500	/	/	440	500	/	/	507
0322	A	/	/	/	390	/	/	/	452	500	/	/	440	500	/	/	507
	SL-A	/	/	/	390	/	/	/	452	500	/	/	440	500	/	/	507
0352	A	/	/	/	390	/	/	/	452	500	/	/	440	500	/	/	507
	SL-A	/	/	/	390	/	/	/	452	500	/	/	440	500	/	/	507
0402	A	1250	/	/	504	1250	/	/	487	1250	/	/	558	1250	/	/	542
	SL-A	1250	/	/	504	1250	/	/	487	1250	/	/	558	1250	/	/	542
0452	A	1250	/	/	504	1250	/	/	598	1250	/	/	558	1250	/	/	653
	SL-A	1250	/	/	504	1250	/	/	598	1250	/	/	558	1250	/	/	653
0512	A	1250	/	/	524	1250	/	/	598	1250	/	/	578	1250	/	/	653
	SL-A	1250	/	/	524	1250	/	/	598	1250	/	/	578	1250	/	/	653
0572	A	1250	/	/	524	1250	/	/	598	1250	/	/	578	1250	/	/	653
	SL-A	1250	/	/	524	1250	/	/	598	1250	/	/	578	1250	/	/	653
0652	A	1250	/	/	569	1250	/	/	586	1250	/	/	623	1250	/	/	651
	SL-A	1250	/	/	569	1250	/	/	586	1250	/	/	623	1250	/	/	651
0772	A	150	/	/	810	150	/	/	692	150	/	/	875	150	/	/	757
	SL-A	150	/	/	810	150	/	/	692	150	/	/	875	150	/	/	757
0902	A	150	/	/	790	150	/	/	886	150	/	/	855	150	/	/	951
	SL-A	/	/	/	790	/	/	/	810	/	/	/	855	/	/	/	875
0972	A	/	/	/	778	/	/	/	810	/	/	/	843	/	/	/	875
	SL-A	/	/	/	778	/	/	/	810	/	/	/	843	/	/	/	875
1052	A	/	/	/	778	/	/	/	810	/	/	/	843	/	/	/	875
	SL-A	/	/	/	778	/	/	/	810	/	/	/	843	/	/	/	875
1152	A	/	/	/	778	/	/	/	856	/	/	/	843	/	/	/	921
	SL-A	/	/	/	778	/	/	/	856	/	/	/	843	/	/	/	921
1243	A	/	/	/	810	/	/	/	923	/	/	/	875	/	/	/	988
	SL-A	/	/	/	810	/	/	/	923	/	/	/	875	/	/	/	988
1373	A	/	/	/	880	/	/	/	923	/	/	/	945	/	/	/	988
	SL-A	/	/	/	880	/	/	/	923	/	/	/	945	/	/	/	988
1503	A	/	/	/	880	/	/	/	904	/	/	/	945	/	/	/	984
	SL-A	/	/	/	880	/	/	/	904	/	/	/	945	/	/	/	984
1593	A	/	/	/	880	/	/	/	904	/	/	/	945	/	/	/	984
	SL-A	/	/	/	880	/	/	/	904	/	/	/	945	/	/	/	984

**extra L** Unit's extra length  
**extra W** Unit's extra operating width (NOT to be considered for transport)  
**extra H** Unit's extra height  
**extra WGT** Unit's extra weight (pumps and piping)  
**HYDRONIC KIT 2 PUMPS 2 POLES LH** HYDRONIC KIT 2 PUMPS 2 POLES LH  
**HYDRONIC KIT 2 PUMPS 2P HH** HYDRONIC KIT 2 PUMPS 2P HH  
**2 PUMPS 2 POLES LH + VPF** 2 PUMPS 2 POLES LH + VPF  
**2 PUMPS 2 POLES HH + VPF** 2 PUMPS 2 POLES HH + VPF  
**-** Not available

## HYDRONIC GROUP

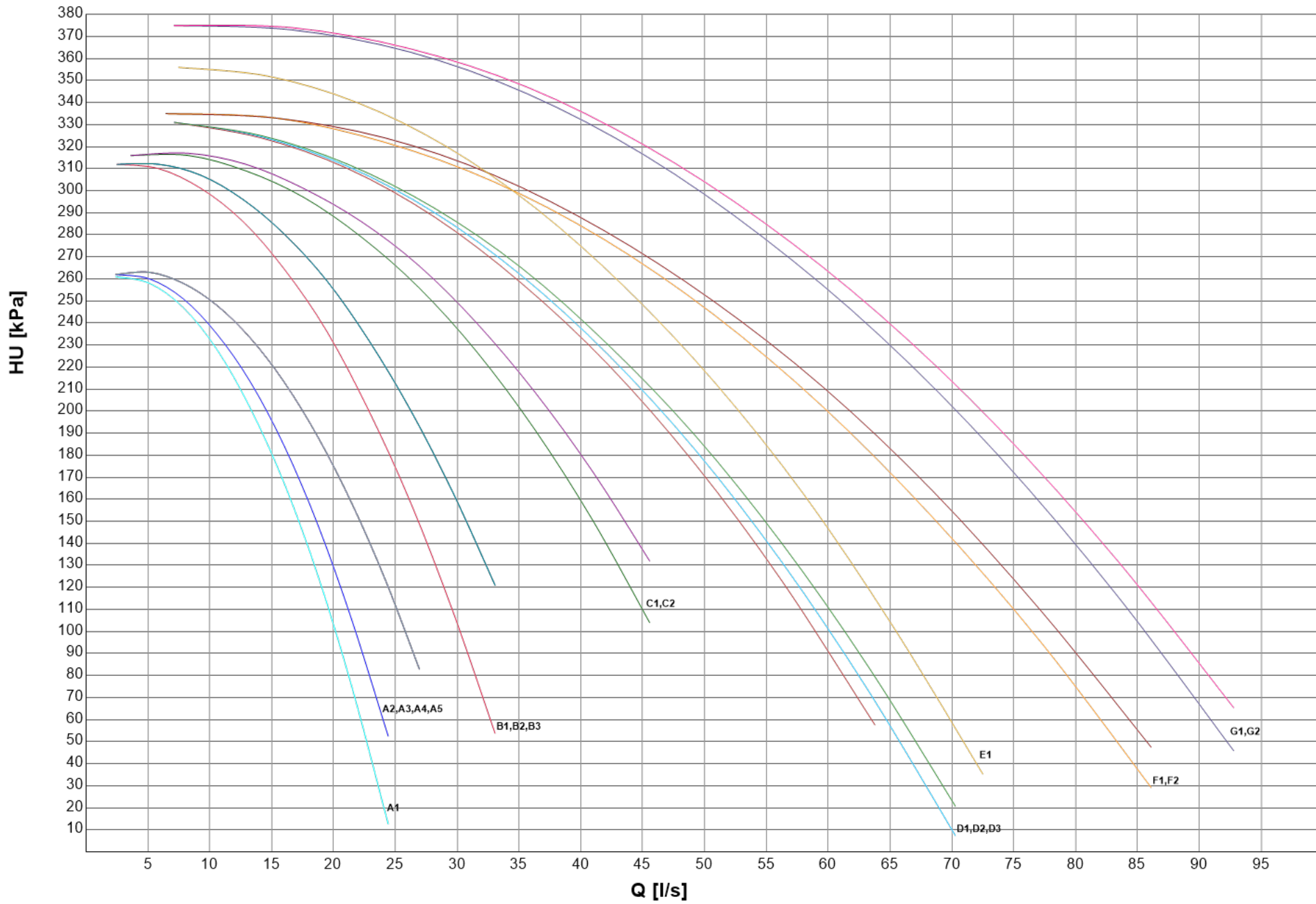
### HEAT EXCHANGER USER SIDE - 2 PUMPS 2 POLES HH + VPF

SIZE		CH		PUMP					CH								
		Pfgross	Qfgross	Rif.	Model	N.	F.L.A.	F.L.I.	HU								
		[kW] (1)	[l/s] (1)			Pole	[A]	[kW]	[kPa]								
0252	A	255,3	12,21	A1	TPD 80-250/2 IE3	2	14	7,500	213								
	SL-A	252,3	12,07						214								
0302	A	289,9	13,86	A2					208								
	SL-A	286,2	13,69						209								
0322	A	315,1	15,07	A3					221								
	SL-A	310,7	14,86						223								
0352	A	365,0	17,46	A4					201								
	SL-A	362,2	17,32						202								
0402	A	405,4	19,39	A5					182								
	SL-A	399,4	19,10						185								
0452	A	445,9	21,32	B1	TPD 80-330/2 IE3	2	21	11,00	217								
	SL-A	445,7	21,31						217								
0512	A	519,7	24,85	B2					214								
	SL-A	512,4	24,50						218								
0572	A	573,4	27,42	B3					188								
	SL-A	567,7	27,15						191								
0652	A	679,0	32,47	C1					TPD 100-310/2 IE3	2	28	15,00	220				
	SL-A	669,5	32,02										224				
0772	A	781,7	37,38	C2									201				
	SL-A	771,7	36,91										204				
0902	A	903,5	43,21	D1	NB 80-160/161 IE3	2	35	18,50					225				
	SL-A	893,3	42,72										218				
0972	A	967,9	46,28	D2									195				
	SL-A	959,0	45,86										198				
1052	A	1058	50,57	D3									180				
	SL-A	1044	49,92										184				
1152	A	1145	54,77	E1					NB 80-160/167 IE3	2	40	22,00	186				
	SL-A	1133	54,20										190				
1243	A	1239	59,24	F1									NB 100-160/167 IE3	2	37	22,00	204
	SL-A	1222	58,44														208
1373	A	1362	65,14	F2	182												
	SL-A	1352	64,65		185												
1503	A	1488	71,14	G1	NB 100-160/176 IE3	2	51	30,00									196
	SL-A	1482	70,87														197
1593	A	1561	74,65	G2													174
	SL-A	1572	75,20														197

(1) Values refer to nominal conditions  
 CH Cooling mode  
 Pf Cooling capacity unit (Cooling mode)  
 Pt Heating capacity unit (Heating mode)

Q Plant (side) exchanger water flow  
 F.L.I. Pump power input  
 F.L.A. Pump running current  
 HU Pump residual pressure head (Units with hydronic group without mains filter)

HEAT EXCHANGER USER SIDE - 2 PUMPS 2 POLES HH + VPF



## HYDRONIC GROUP

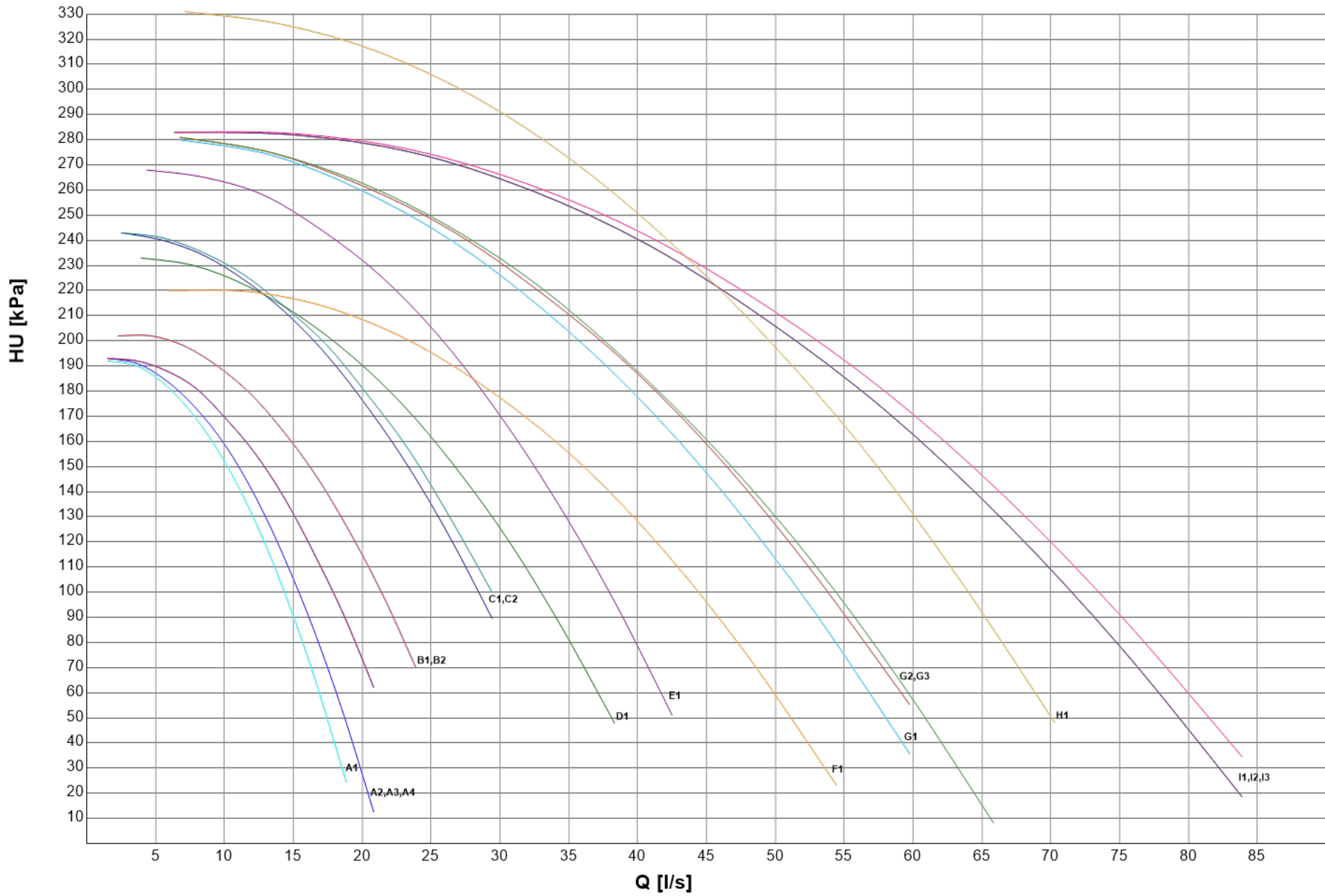
### HEAT EXCHANGER USER SIDE - 2 PUMPS 2 POLES LH + VPF

SIZE		CH		PUMP					CH				
		Pfgross	Qfgross	Rif.	Model	N.	F.L.A.	F.L.I.	HU				
		[kW] (1)	[l/s] (1)			Pole	[A]	[kW]	[kPa]				
0252	A	255,3	12,21	A1	TPD 80-210/2 IE3	2	8	4,000	128				
	SL-A	252,3	12,07						130				
0302	A	289,9	13,86	A2					120				
	SL-A	286,2	13,69						122				
0322	A	315,1	15,07	A3					131				
	SL-A	310,7	14,86						133				
0352	A	365,0	17,46	A4		105							
	SL-A	362,2	17,32			107							
0402	A	405,4	19,39	B1		TPD 100-200/2 IE3	2	11	5,500	121			
	SL-A	399,4	19,10							124			
0452	A	445,9	21,32	B2						101			
	SL-A	445,7	21,31							101			
0512	A	519,7	24,85	C1	TPD 100-240/2 IE3					2	14	7,500	136
	SL-A	512,4	24,50										140
0572	A	573,4	27,42	C2		120							
	SL-A	567,7	27,15			123							
0652	A	679,0	32,47	D1		NB 65-125/137 IE3	2	14	7,500				104
	SL-A	669,5	32,02										108
0772	A	781,7	37,38	E1	NB 65-125/144 IE3	2	20	11,00	106				
	SL-A	771,7	36,91						110				
0902	A	903,5	43,21	F1	NB 80-160/147-127	2	21	11,00	113				
	SL-A	893,3	42,72						106				
0972	A	967,9	46,28	G1	NB 80-160/151 IE3	2	26	15,00	139				
	SL-A	959,0	45,86						142				
1052	A	1058	50,57	G2					123				
	SL-A	1044	49,92						127				
1152	A	1145	54,77	G3					96,9				
	SL-A	1133	54,20						101				
1243	A	1239	59,24	H1					NB 80-160/161 IE3	2	35	18,50	136
	SL-A	1222	58,44										142
1373	A	1362	65,14	I1					NB 100-160/160-154 IE3	2	33	18,50	136
	SL-A	1352	64,65										139
1503	A	1488	71,14	I2									102
	SL-A	1482	70,87										104
1593	A	1561	74,65	I3	80,7								
	SL-A	1572	75,20		103								

(1) Values refer to nominal conditions  
 CH Cooling mode  
 Pf Cooling capacity unit (Cooling mode)  
 Pt Heating capacity unit (Heating mode)

Q Plant (side) exchanger water flow  
 F.L.I. Pump power input  
 F.L.A. Pump running current  
 HU Pump residual pressure head (Units with hydronic group without mains filter)

HEAT EXCHANGER USER SIDE - 2 PUMPS 2 POLES LH + VPF



## HYDRONIC GROUP

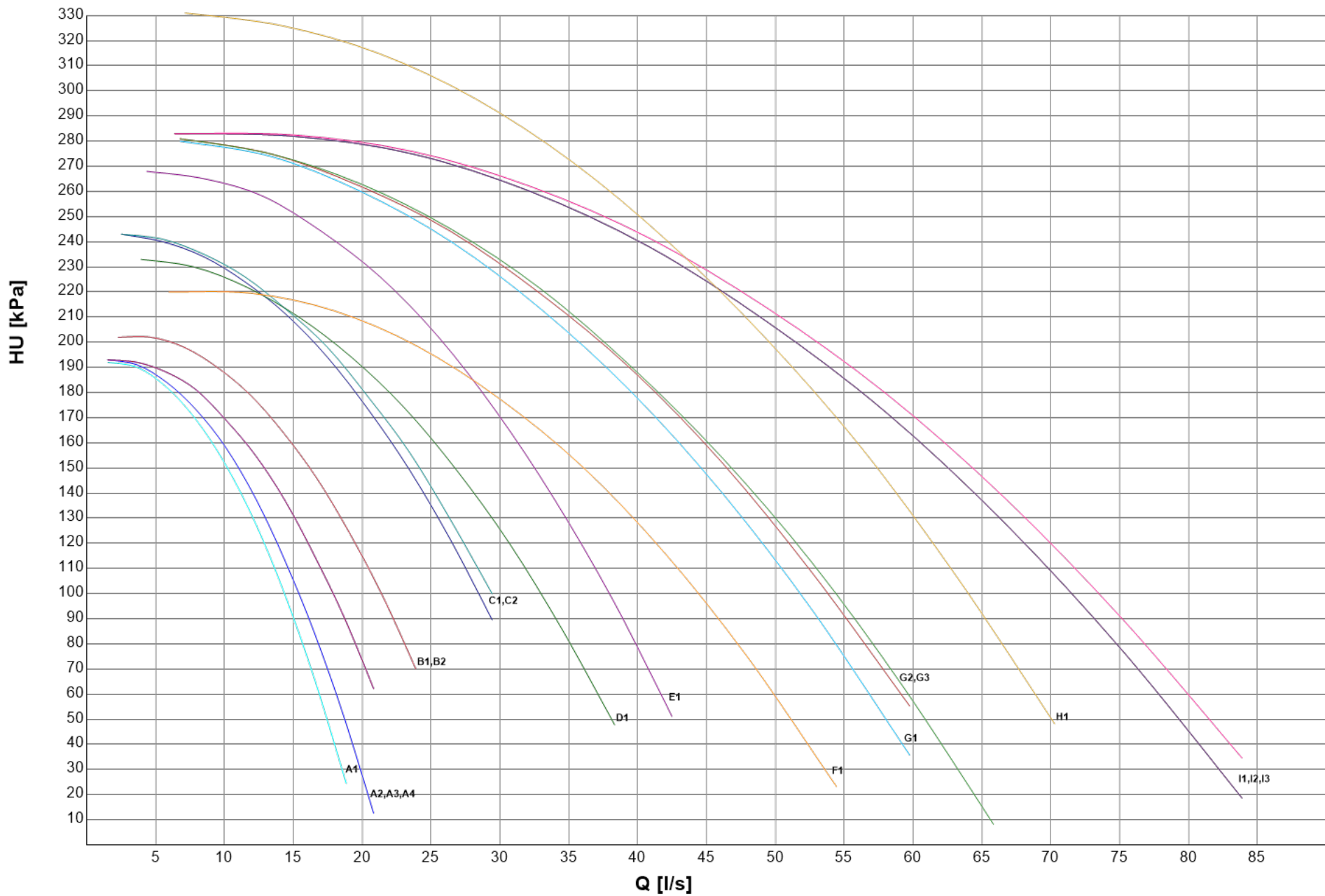
### HEAT EXCHANGER USER SIDE - HYDRONIC KIT 2 PUMPS 2 POLES LH

SIZE		CH		PUMP					CH	
		Pfgross	Qfgross	Rif.	Model	N.	F.L.A.	F.L.I.	HU	
		[kW] (1)	[l/s] (1)			Pole	[A]	[kW]	[kPa]	
0252	A	255,3	12,21	A1	TPD 80-210/2 IE3	2	8	4,000	128	
	SL-A	252,3	12,07						130	
0302	A	289,9	13,86	A2					120	
	SL-A	286,2	13,69						122	
0322	A	315,1	15,07	A3					131	
	SL-A	310,7	14,86						133	
0352	A	365,0	17,46	A4		105				
	SL-A	362,2	17,32			107				
0402	A	405,4	19,39	B1		TPD 100-200/2 IE3	2	11	5,500	121
	SL-A	399,4	19,10							124
0452	A	445,9	21,32	B2						101
	SL-A	445,7	21,31				101			
0512	A	519,7	24,85	C1	TPD 100-240/2 IE3		2	14	7,500	136
	SL-A	512,4	24,50							140
0572	A	573,4	27,42	C2		120				
	SL-A	567,7	27,15			123				
0652	A	679,0	32,47	D1		NB 65-125/137 IE3	2	14	7,500	104
	SL-A	669,5	32,02							108
0772	A	781,7	37,38	E1	NB 65-125/144 IE3					2
	SL-A	771,7	36,91		110					
0902	A	903,5	43,21	F1	NB 80-160/147-127	2	21	11,00	113	
	SL-A	893,3	42,72						106	
0972	A	967,9	46,28	G1					NB 80-160/151 IE3	2
	SL-A	959,0	45,86		142					
1052	A	1058	50,57	G2	123					
	SL-A	1044	49,92		127					
1152	A	1145	54,77	G3	96,9					
	SL-A	1133	54,20		101					
1243	A	1239	59,24	H1	NB 80-160/161 IE3	2	35	18,50		136
	SL-A	1222	58,44							142
1373	A	1362	65,14	I1						NB 100-160/160-154 IE3
	SL-A	1352	64,65		139					
1503	A	1488	71,14	I2	102					
	SL-A	1482	70,87		104					
1593	A	1561	74,65	I3	80,7					
	SL-A	1572	75,20		103					

(1) Values refer to nominal conditions  
 CH Cooling mode  
 Pf Cooling capacity unit (Cooling mode)  
 Pt Heating capacity unit (Heating mode)

Q Plant (side) exchanger water flow  
 F.L.I. Pump power input  
 F.L.A. Pump running current  
 HU Pump residual pressure head (Units with hydronic group without mains filter)

HEAT EXCHANGER USER SIDE - HYDRONIC KIT 2 PUMPS 2 POLES LH





## HYDRONIC GROUP

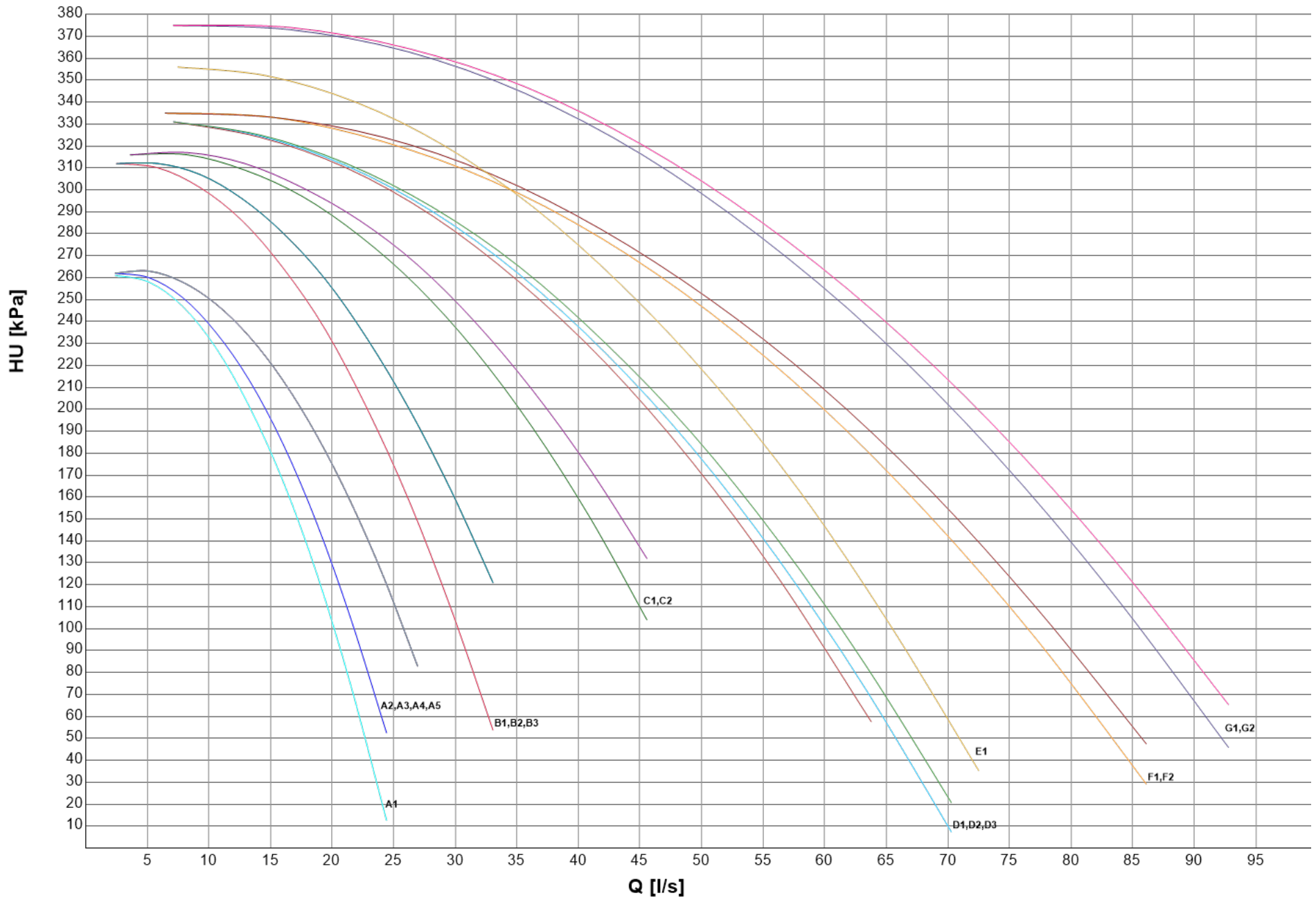
### HEAT EXCHANGER USER SIDE - HYDRONIC KIT 2 PUMPS 2P HH

SIZE		CH		PUMP					CH					
		Pfgross	Qfgross	Rif.	Model	N.	F.L.A.	F.L.I.	HU					
		[kW] (1)	[l/s] (1)			Pole	[A]	[kW]	[kPa]					
0252	A	255,3	12,21	A1	TPD 80-250/2 IE3	2	14	7,500	213					
	SL-A	252,3	12,07						214					
0302	A	289,9	13,86	A2					208					
	SL-A	286,2	13,69						209					
0322	A	315,1	15,07	A3					221					
	SL-A	310,7	14,86						223					
0352	A	365,0	17,46	A4		201								
	SL-A	362,2	17,32			202								
0402	A	405,4	19,39	A5		182								
	SL-A	399,4	19,10			185								
0452	A	445,9	21,32	B1		TPD 80-330/2 IE3	2	21	11,00	217				
	SL-A	445,7	21,31							217				
0512	A	519,7	24,85	B2	214									
	SL-A	512,4	24,50		218									
0572	A	573,4	27,42	B3	188									
	SL-A	567,7	27,15		191									
0652	A	679,0	32,47	C1	TPD 100-310/2 IE3		2	28	15,00	220				
	SL-A	669,5	32,02							224				
0772	A	781,7	37,38	C2						201				
	SL-A	771,7	36,91							204				
0902	A	903,5	43,21	D1						NB 80-160/161 IE3	2	35	18,50	225
	SL-A	893,3	42,72											218
0972	A	967,9	46,28	D2	195									
	SL-A	959,0	45,86		198									
1052	A	1058	50,57	D3	180									
	SL-A	1044	49,92		184									
1152	A	1145	54,77	E1	NB 80-160/167 IE3	2	40	22,00	186					
	SL-A	1133	54,20						190					
1243	A	1239	59,24	F1					NB 100-160/167 IE3		2	37	22,00	204
	SL-A	1222	58,44											208
1373	A	1362	65,14	F2										182
	SL-A	1352	64,65											185
1503	A	1488	71,14	G1	NB 100-160/176 IE3	2	51	30,00		196				
	SL-A	1482	70,87							197				
1593	A	1561	74,65	G2					174					
	SL-A	1572	75,20						197					

(1) Values refer to nominal conditions  
 CH Cooling mode  
 Pf Cooling capacity unit (Cooling mode)  
 Pt Heating capacity unit (Heating mode)

Q Plant (side) exchanger water flow  
 F.L.I. Pump power input  
 F.L.A. Pump running current  
 HU Pump residual pressure head (Units with hydronic group without mains filter)

HEAT EXCHANGER USER SIDE - HYDRONIC KIT 2 PUMPS 2P HH



## VARIABLE FLOW CONTROL

Pump energy consumption significantly impacts plant running costs, but it can be considerably reduced thanks to the use of variable speed pumps (inverter driven pumps), capable of adjusting the water flow rate according to the actual plant thermal load.

Mitsubishi Electric Hydronics & Cooling Systems has developed the VPF control series (Variable Primary Flow), that provides different water flow regulation logics specifically devoted to various hydraulic plant solutions: only a primary circuit, primary and secondary circuits, single

unit or multi-unit systems controlled with external controller (Manager 3000, ClimaPRO) or with 1541, 1542 Multi Manager options. The VPF systems adjust the pump speeds on the basis of the plant's thermal load and optimize the unit's thermoregulation algorithm for variable flow operation, in a dynamic and simultaneous way. This ensures the highest energy savings, stable operation, and complete reliability.

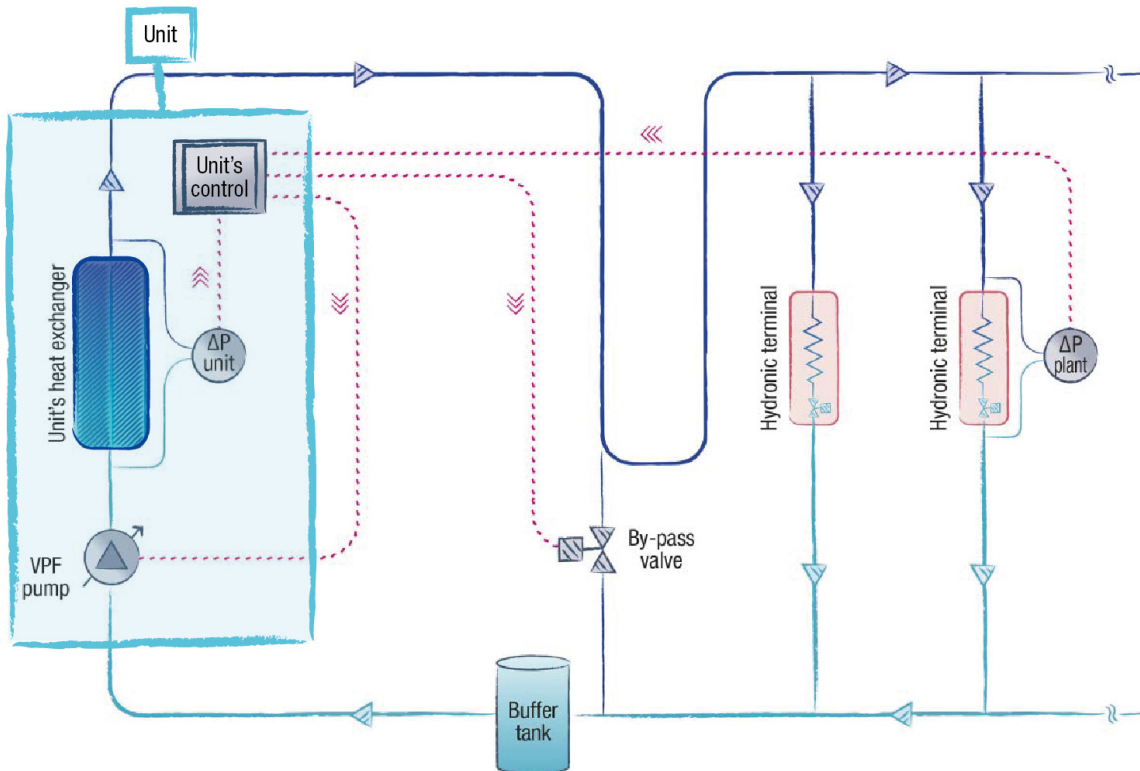
### VPF SYSTEM (delta P control) For plants with only a primary circuit

#### VPF - Plant and unit requirements

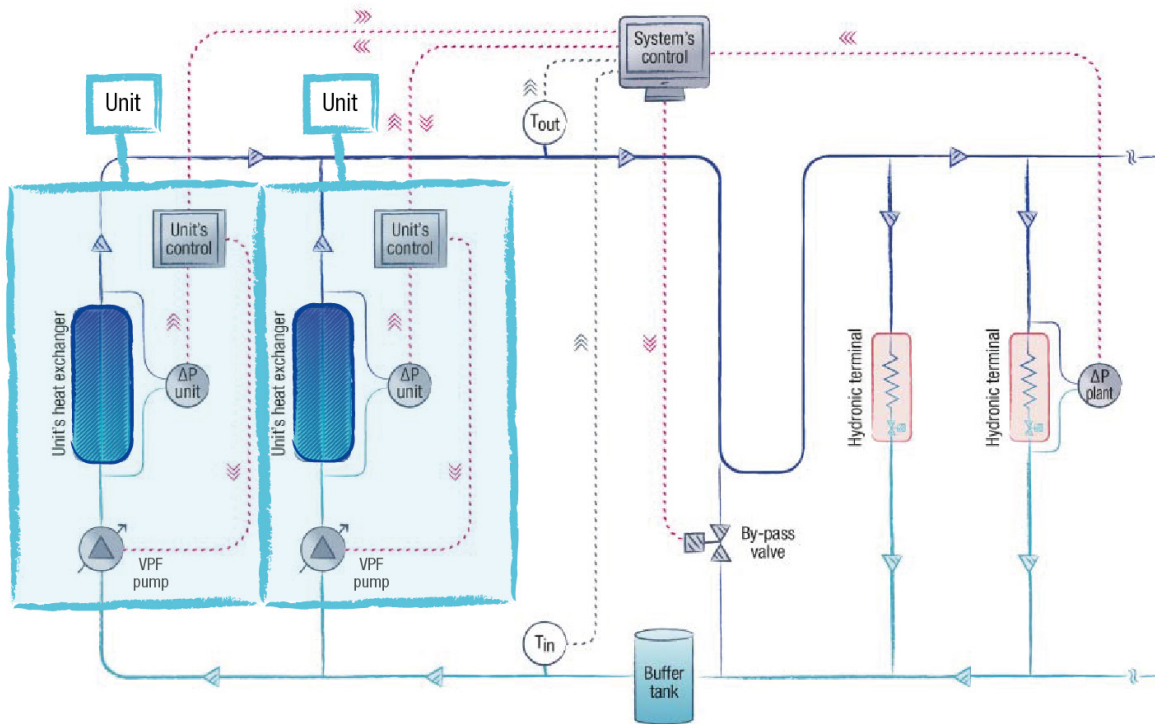
The VPF logic provides the variable flow control for the plant's primary circuit.

- Type of plant: primary circuit only, that feeds hydronic terminals fitted with a 2-way regulating valve
- Hydronic module: modulating regulation devices (0-10V signal) or variable speed pumps
- Unit thermoregulation: control of the leaving water temperature
- Monitored parameter: delta P on relevant users' hydronic terminal

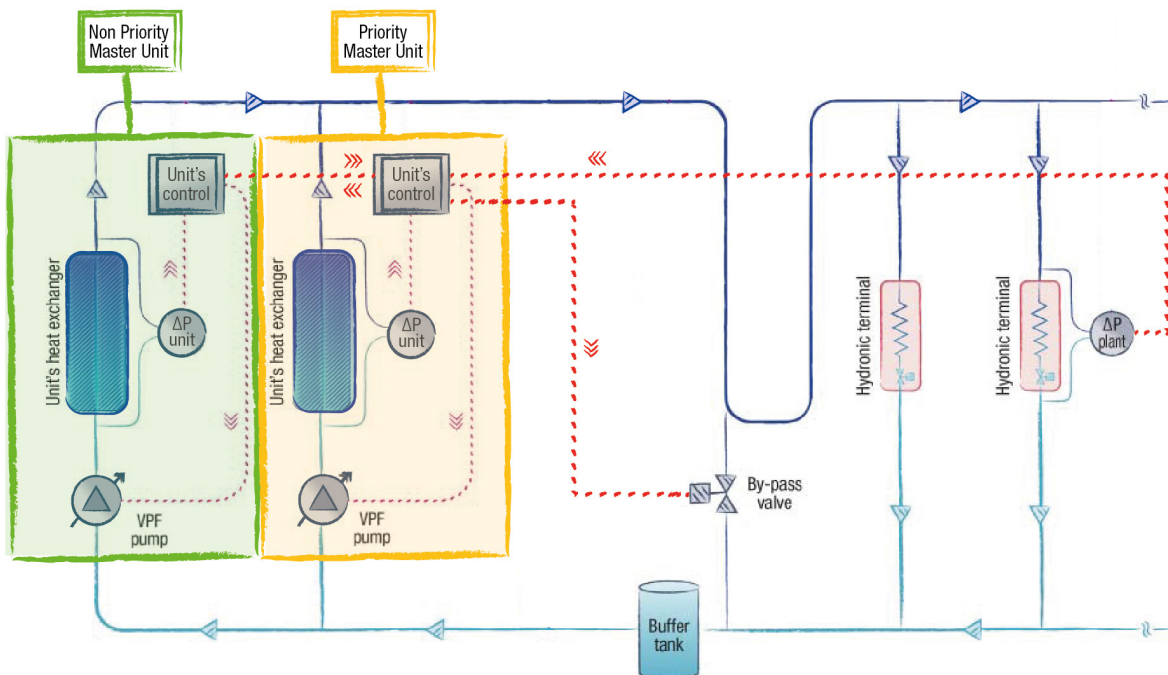
#### Plant diagram for single unit system



Plant diagram for multi-unit with external control system (Manager3000 or ClimaPRO)



Plant diagram for multi-unit system with Multi Manager



## VPF - Operating logic

### Water flow regulation

The VPF system monitors the differential pressure on the plant side ( $\Delta P$ ) and adjusts the pump speed in order to keep it within a defined range ( $\Delta P_{min} \leftrightarrow \Delta P_{max}$ ).

- If  $\Delta P_{min} \leq \Delta P \leq \Delta P_{max}$

The plant water flow is appropriate to the thermal load, the pump speed is kept constant.

- If  $\Delta P > \Delta P_{max}$

The plant water flow exceeds what is necessary to properly cover the thermal load, the pump speed is reduced to save pump energy.

- If  $\Delta P < \Delta P_{min}$

The plant water flow is too low to ensure the proper feed to the hydronic terminals, the pump speed is increased.

With the VPF system, the water flow can be reduced to 50% of the unit nominal water flow, with regards to the selection conditions, provided that the minimum water flow required by the unit's heat exchanger is respected (the control of the heat exchanger's minimum water flow is described below).

The pump speed regulation is performed with little progressive adjustments while continuously monitoring the values of both the delta P on the plant side and the water temperature on the heat exchanger. The absence of abrupt water flow changes prevents fluctuation due to possible conflicts with the unit's thermoregulation function (compressor regulation).

### Control of the unit's minimum water flow

Under no circumstances can the primary circuit water flow be reduced below the minimum water flow required by the unit's heat exchanger. The monitoring of the unit's water flow is performed through a factory installed differential pressure transducer on the unit's heat exchanger. If the differential pressure on the plant side requests a users' water flow lower than the unit's minimum water flow, the VPF system commands the gradual opening of the hydraulic by-pass valve (safety function). This ensures that the minimum water flow required by the unit's heat exchanger is always provided. As soon as the hydronic terminals request an increase of the water flow ( $\Delta P < \Delta P_{min}$ ), the VPF closes the by-pass valve.

### Multi-unit systems

The VPF control logic is also the same for multi-unit systems. The plant side differential pressure transducer reading and the by-pass valve opening are managed by the multi-unit control system (Manager3000, ClimaPRO, Multi Manager Master). Each unit autonomously adjusts its pump speed on the basis of the information provided by the multi-unit control system. When the plant load requests the activation of a stand-by unit, the multi-unit control system calculates the starting speed of its pump in order to avoid excessive water flow variation of the running units.

In case of multi-unit system with Multi Manager, at least one unit must be set as Priority Master (opt 1541). To grant redundancy to the system, more than one unit can be configured as Priority Master. All the Priority Masters must be connected to the differential pressure transducer and the by-pass valve. The Multi Manager system only takes into account the signal read and sent by the Master of the moment (a specific filtering device is part of the supply; see the table below, note (8)).

The Non Priority Master cannot be connected to differential pressure transducer and by-pass valve and cannot managed the VPF function. In the event that a Non Priority Master is elected as the Master of the system, the VPF function is suspended.

## VPF - Devices and installation

Device	Accessory name		
	VPF (w/o DP)(SU, MM_PR) <sup>(1)</sup>	VPF (w DP)(SU, MM_PR) <sup>(2)</sup>	VPF (M3000, CPRO, MM_N-PR) <sup>(3)</sup>
Differential pressure transducer on the unit's heat exchanger and related controller expansion board	Factory installed	Factory installed	Factory installed
Controller expansion board to read the plant side differential pressure transducer (4-20mA signal) and manage the hydraulic by-pass valve opening (0-10V signal)	Factory installed	Factory installed	Factory installed on the multi-unit external control system (Manager3000, ClimaPRO) Not included with option 1542 (Non Priority Master unit) <sup>(5)</sup>
Plant side differential pressure transducer	Not included (the supply is the customer's responsibility) <sup>(4)</sup>	Factory supplied, installation is the client's responsibility <sup>(4)(5)</sup>	Factory supplied with the multi-unit external control system (Manager3000, ClimaPRO); installation is the client's responsibility Not included with option 1542 (Non Priority Master unit) <sup>(4)(6)</sup>
Plant side hydraulic by-pass valve	Not included (the supply is the customer's responsibility) <sup>(7)(8)</sup>	Not included (the supply is the customer's responsibility) <sup>(7)(8)</sup>	Not included (the supply is the customer's responsibility) <sup>(7)</sup>

(1) VPF for unit without plant differential pressure transducer included (for single unit plant and Priority Master unit)

(2) VPF for unit with plant differential pressure transducer included (for single unit plant and Priority Master unit)

(3) VPF for multi-unit plant with external controller (Manager3000, ClimaPRO) and Non Priority Master unit

(4) It is recommended to install the differential pressure transducer on the most hydraulically critical hydronic terminal, to ensure it has a proper water flow in any load condition.

(5) Technical features of the differential pressure transducer supplied:

Model: Huba Control 692.9 120071C1

Pressure range: 0 ... + 1 bar

Output: 4-20mA

Electrical connection: DIN EN 175301-803-A (IP 65)

Pressure connection adapters: male threaded G 1/8"

(6) It is the customer's responsibility to configure the multi-unit control system (Manager3000, ClimaPRO or Multi Manager) with option VPF.

(7) See attached table for information on the hydraulic by-pass design.

(8) In case of a multi-unit plant with more than one Master Priority unit (opt 1541) please specify it when emailing our sales. An additional device will be add to manage the multiple signals coming from unit's controller to the by-pass valve.

The following table provides the indications for a correct hydraulic by-pass design.

Heat exchanger minimum flow (m <sup>3</sup> /h) <sup>(1)</sup>	Minimum by-pass diameter	Minimum by-pass valve diameter	Suggested valve model	Kvs	Suggested actuator model
From 19 to 30	DN50 (2")	DN50 (2")	VVG41.50	40	SKB60
Up to 37	DN65 (2" ½)	DN65 (2" ½)	VVF31.65	49	SKB60
Up to 60	DN80 (3")	DN80 (3")	VVF31.80	78	SKB60
Up to 95	DN100 (4")	DN100 (4")	VVF31.90	124	SKC60
Up to 150	DN125 (5")	DN125 (5")	VVF31.91	200	SKC60
Up to 230	DN150 (6")	DN150 (6")	VVF31.92	300	SKC60

(1) In case of a multi-unit system, the unit with the highest minimum water flow should be the reference.

### VPF.D SYSTEM (delta T control)

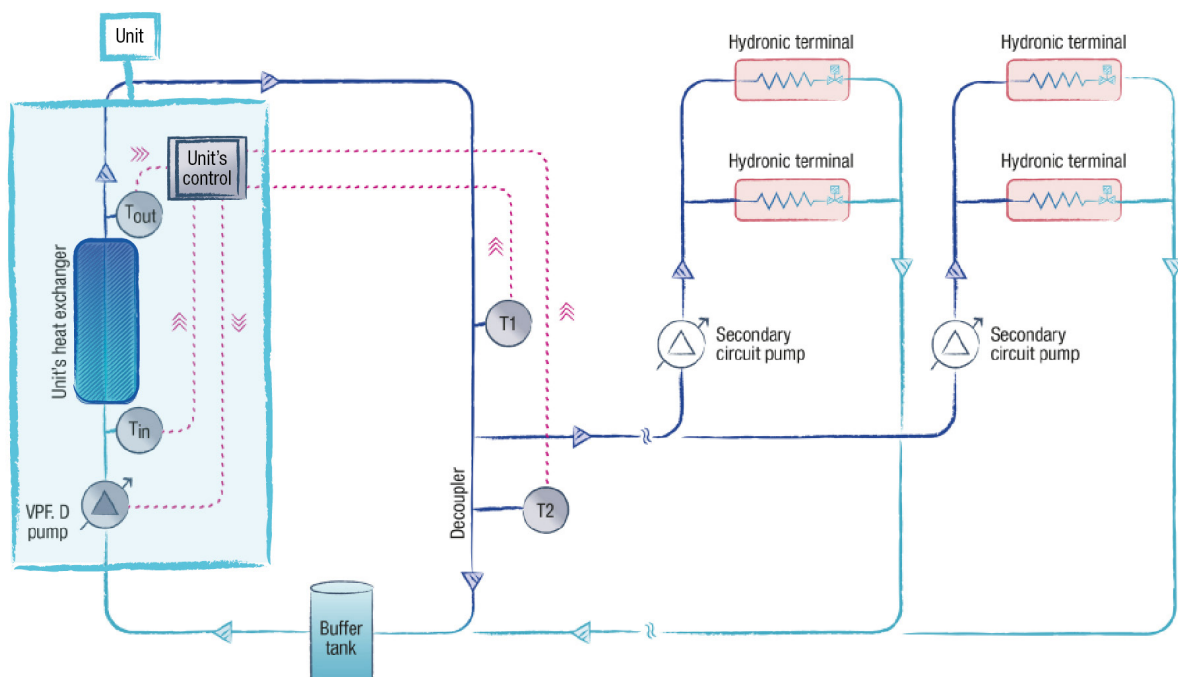
For plants with primary and secondary circuits separated by a hydraulic decoupler.

#### VPF.D - Plant and unit requirements

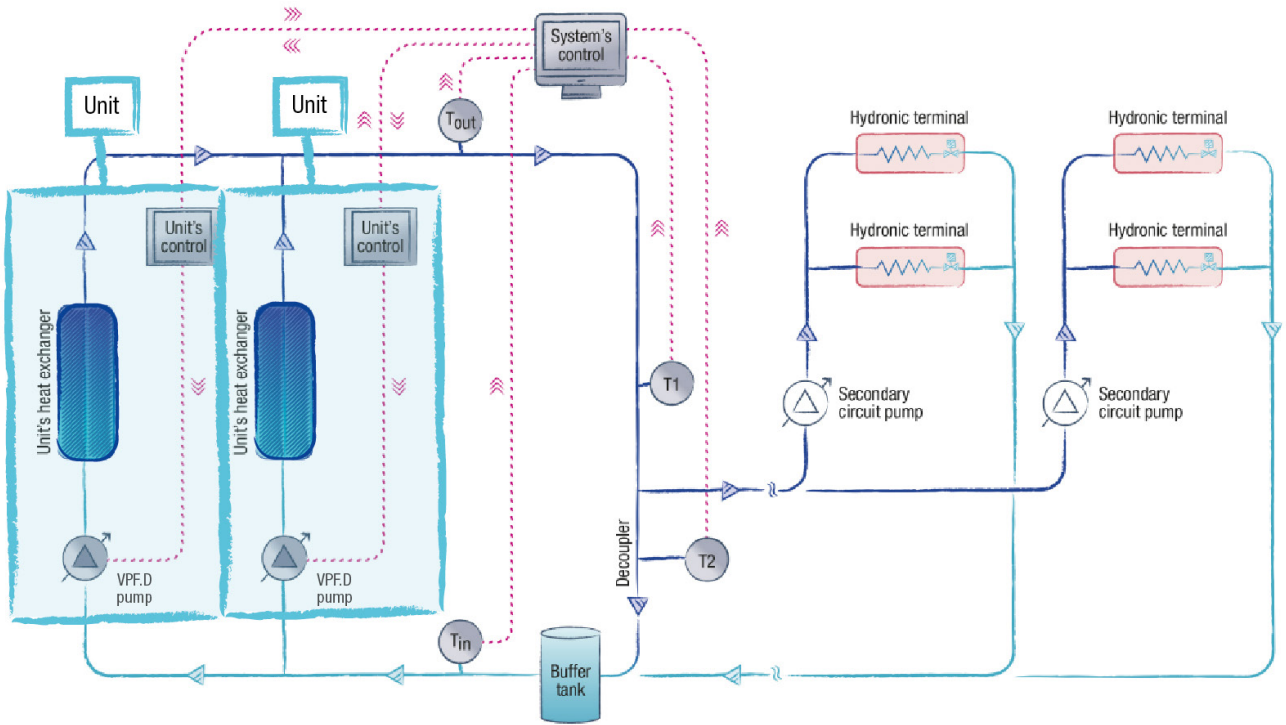
The VPF.D logic provides the variable flow control for the plant's primary circuit.

- Type of plant: primary and secondary circuits separated by a hydraulic decoupler
- Hydronic module: modulating regulation devices (0-10V signal) or variable speed pumps
- Unit thermoregulation: control of the leaving water temperature
- Monitored parameter: delta T on primary circuit

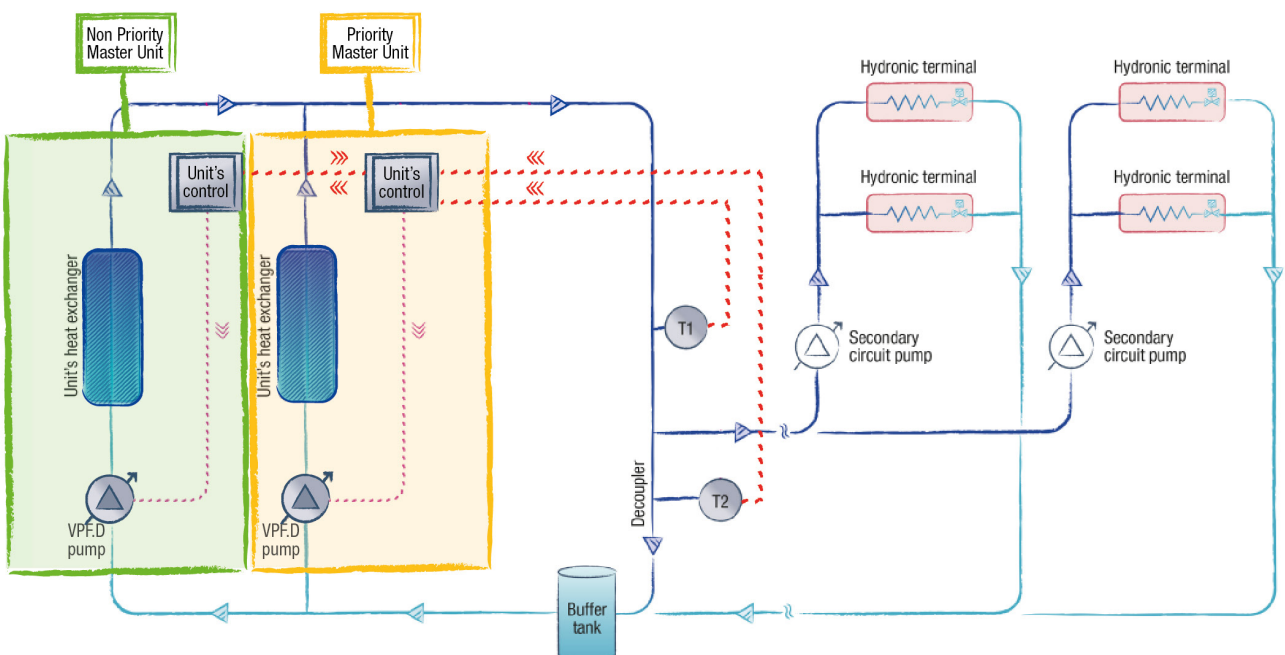
#### Plant diagram for single unit system



Plant diagram for multi-unit with external control system (Manager3000 or ClimaPRO)



Plant diagram for multi-unit system with Multi Manager



## VPF.D - Operating logic

### Water flow regulation

The VPF.D system monitors the temperature difference of the primary circuit ( $\Delta T$ ) (that corresponds to the temperature difference of the unit's heat exchanger in the case of a single unit system), and adjusts the primary circuit's pump speed in order to keep it within a defined range ( $\Delta T_{min} \leftrightarrow \Delta T_{max}$ ). The secondary circuit water flow is completely independent and is to be managed by the client.

- If  $\Delta T_{min} \leq \Delta T \leq \Delta T_{max}$   
The plant water flow is appropriate to the thermal load, the pump speed is kept constant.
- If  $\Delta T < \Delta T_{min}$   
The plant water flow exceeds what is necessary to properly cover the thermal load, the pump speed is reduced to save pump energy.
- If  $\Delta T > \Delta T_{max}$   
The plant water flow is too low to ensure the proper feed to the users, the pump speed is increased.

To prevent the returning water of the secondary circuit from recirculating through the decoupler and mixing with the delivery water, which would cause serious plant regulation problems, the VPF.D provides a safety function based on the temperatures, which are detected by two probes on the plant side: T1 on the unit delivery line and T2 on the hydraulic decoupler. If during the water flow regulation of the circuits, the flow direction in the decoupler reverses (detected temperatures  $T1 < T2$ ), the system forces a quick increase of the primary water flow until the correct direction of the flow in the decoupler is restored (detected temperatures  $T1 = T2$ ).

With the VPF.D system, the water flow can be reduced to 50% of the unit nominal water flow, with regards to the selection conditions, provided that the minimum water flow required by the unit's heat exchanger is respected (the control of the heat exchanger's minimum water flow is described below).

The pump speed regulation is performed with little progressive adjustments while continuously monitoring the values of both the temperature difference on the primary circuit and the temperatures of the probes T1 and T2. The absence of abrupt water flow changes prevents fluctuation due to possible conflicts with the unit's thermoregulation function (compressor regulation).

### Control of the unit's minimum water flow

Under no circumstances can the primary circuit water flow be reduced below the minimum water flow required by the unit's heat exchanger. The unit's minimum water flow is ensured by setting the minimum pump speed (service menu parameter).

### Multi-unit systems

The VPF.D control logic is also the same for multi-unit systems. The reading of the temperature difference on the primary circuit and the reading of the temperature probes T1 and T2 is managed by the multi-unit control system (Manager3000, ClimaPRO, Multi Manager Master).

Each unit autonomously adjusts its pump speed on the basis of the information provided by the multi-unit control system.

When the plant load requests the activation of a stand-by unit, the multi-unit control system calculates the starting speed of its pump in order to avoid excessive water flow variation of the running units.

In case of multi-unit system with Multi Manager, at least one unit must be set as Priority Master (opt 1541). To grant redundancy to the system, more than one unit can be configured as Priority Master. All the Priority Masters must be connected to the temperature probes T1 and T2. The Multi Manager system only takes into account the signal read and sent by the Master of the moment.

The Non Priority Master cannot be connected to the temperature probes T1 and T2, and cannot managed the VPF.D function. In the event that a Non Priority Master is elected as the Master of the system, the VPF.D function is suspended.

## VPF.D - Devices and installation

Dispositivo	Accessory name	
	VPF.D (SU, MM_PR) <sup>(1)</sup>	VPF.D(M3000, CPRO, MM_N-PR) <sup>(2)</sup>
2 plant side NTC temperature sensors and related controller expansion board	Factory supplied (probes supplied without wells), installation is the client's responsibility <sup>(3)</sup>	Factory supplied with the multi-unit external control system, Manager3000 or ClimaPRO (probes supplied without wells); installation is the client's responsibility Not included with option 1542 (Non Priority Master unit) <sup>(3)(4)</sup>

(1) VPF.D for single unit plant and Priority Master unit

(2) VPF.D for multi-unit plant with external controller (Manager3000 or ClimaPRO) and Non Priority Master unit

(3) It is recommended to install the temperature probes as shown in the enclosed plant diagrams (T1 on the unit delivery line, T2 on the hydraulic decoupler)

(4) It is the customer's responsibility to configure the multi-unit control system (Manager3000, ClimaPRO or Multi Manager) with option VPF.D.

The following table provides the indications for a correct hydraulic decoupler design.

Heat exchanger minimum flow (m <sup>3</sup> /h) <sup>(1)</sup>	Minimum hydraulic decoupler diameter
From 25 to 40	DN65 (2" ½)
Up to 60	DN80 (3")
Up to 100	DN100 (4")
Up to 150	DN125 (5")
Up to 225	DN150 (6")
Up to 375	DN200 (8")

(2) In case of a multi-unit system, the unit with the highest minimum water flow should be the reference.





for a greener tomorrow

Eco Changes is the Mitsubishi Electric Group's environmental statement, and expresses the Group's stance on environmental management. Through a wide range of businesses, we are helping contribute to the realization of a sustainable society.



## MITSUBISHI ELECTRIC HYDRONICS & IT COOLING SYSTEMS S.p.A.

Head Office: Via Caduti di Cefalonia 1 - 36061 Bassano del Grappa (VI) - Italy

Tel (+39) 0424 509 500 - Fax (+39) 0424 509 509

[www.melcohit.com](http://www.melcohit.com)

