

12-2. Spacing

12-2-1. PUMY-SP112, 125, 140VKM/YKM

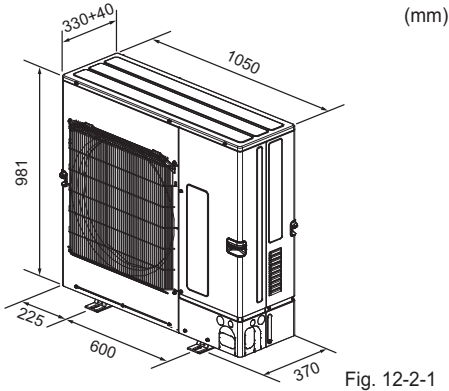


Fig. 12-2-1

12-2-1-1. Spacing individual PUMY-SP-VKM/YKM

Follow Fig. 12-2-2~7 to space individual PUMY-SP-VKM/YKM at the installation site.

12-2-1-2. Spacing grouped PUMY-SP-VKM/YKM

Follow Fig. 12-2-8~13 to space grouped PUMY-SP-VKM/YKM at the installation site.

Leave 25 mm space or more between PUMY-SP-VKM/YKM units.

PUMY-SP-VKM, YKM/PUMY-P-VKM4, YKM(E)4, YKM2

<p>Fig. 12-2-2 Obstacles at rear only</p>	<p>Fig. 12-2-3 Obstacles at rear and above only</p>	<p>Fig. 12-2-8 Obstacles at rear or front only</p>	<p>Fig. 12-2-9 Obstacles at rear and above only</p>
<p>Fig. 12-2-4 Obstacles at rear and sides only</p>	<p>Fig. 12-2-5 Obstacles at front only</p>	<p>Fig. 12-2-10 Obstacles at front and rear only</p>	<p>Fig. 12-2-11 Parallel individuals arrangement</p>
<p>Fig. 12-2-6 Obstacles at front and rear only</p>	<p>Fig. 12-2-7 Obstacles at rear, sides and above only</p>	<p>Fig. 12-2-12 Parallel groups arrangement</p>	<p>Fig. 12-2-13 Stacked groups arrangement</p>