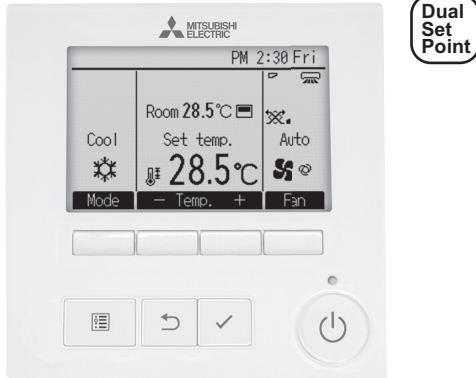


2-4. MA remote controller [PAR-40MAA]



■ Functions

1. Operation/Display

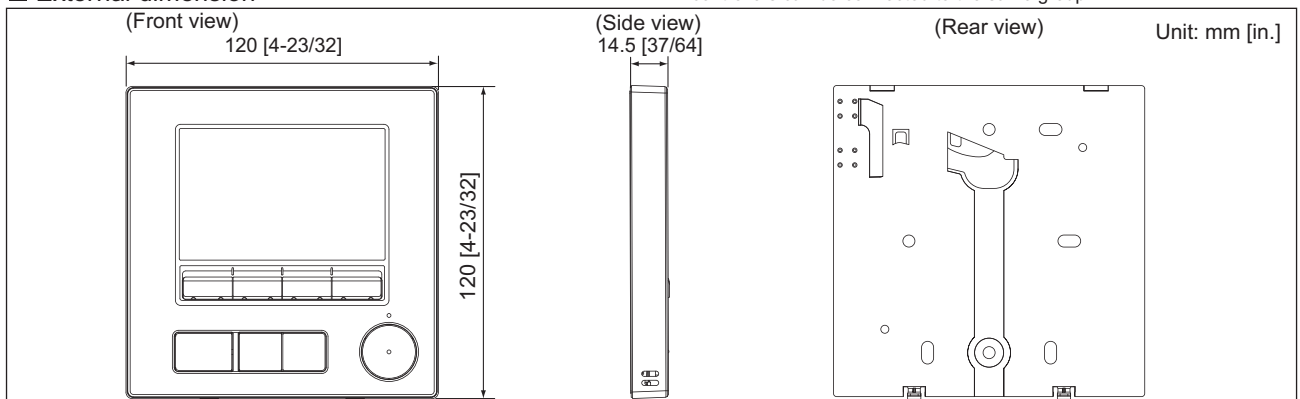
○: Each group X: Not available

Item	Description	Setting	Display
ON/OFF	Switches between ON and OFF.	○	○
Operation mode switching	Switches between Cool/Dry/Fan/Auto/Heat.	○	○
Temperature setting *3	The temperature can be set within the following range. Cool/Dry: 19°C - 35°C/67°F - 95°F Heat: 4.5°C - 28°C/40°F - 83°F Auto (single set point): 19°C - 28°C/67°F - 83°F Auto (dual set points) [Cool] Same as the set temp. range for Cool mode. [Heat] Same as the set temp. range for Heat mode. * The temperature ranges that can be set vary depending on the model.	○	○
Fan speed setting	Changes fan speed. * Available fan speeds vary depending on the model.	○	○
Air flow direction setting	Changes airflow direction. * Available airflow directions vary depending on the model.	○	○
Louver setting	Switches between louver ON/OFF.	○	○
Ventilation equipment control	Interlocked setting and interlocked operation setting with City Multi Lossnay units can be performed. The Stop/Low/High settings of the ventilation equipment can be controlled.	○	○
Auto descending panel *1	Raises and lowers the automatic elevating panel.	○	○
Main display mode setting	The Main display can be displayed in two different modes: "Full" and "Basic."	○	○
B&W inversion	The colors of the display can be inverted, turning white background to black and black characters to white.	○	○
Clock *2	Date (year/month/day) and time (hour/minute) can be set. The set time as well as the day of the week will be displayed on the Main display. It is also possible to set not to display the time on the Main display.	○	○
Daylight saving time	The start/end time for daylight saving time can be set. The daylight saving time function will be activated based on the setting contents.	○	○
Clock display	The clock can be displayed in 12-hour format (AM/PM before or after the time) and 24-hour format.	○	○
Room temp. display *3	The room temperature display can be enabled or disabled.	—	○
Error information	When an error occurs, an error code and the unit address appear. The air-conditioning unit model, serial number, and contact number can be set to appear when an error occurs. (The above information needs to be entered in advance.) * An error code may not appear depending on the error.	—	○
Filter information	A filter sign will appear when it is time to clean the filter.	—	○
Remote controller information	The version of the remote controller can be checked.	—	○

● Backlit LCD

● Can be set and shown by 0.5°C degree.

■ External dimension



2. Schedule and timer setting

○: Each group X: Not available

Item	Description	Setting	Display
Timer	ON/OFF timer Turns ON and OFF daily at a set time. • Time can be set in 5-minute increments. • It is also possible to set the ON time only or the OFF time only. Auto-OFF timer Turns off the unit after a certain period of operation. • Operation time can be set to a value from 30 to 240 minutes in 10-minute increments.	○	○
Weekly timer	Weekly ON/OFF times and set temperatures can be set. • Time can be set in 5-minute increments. Up to 8 schedule patterns can be set per day of the week. * Not valid when the ON/OFF timer is set.	○	○
Night setback	The temperature range and the start/stop times can be set.	○	○

3. Restriction settings

○: Each group X: Not available

Item	Description	Setting	Display
Allows/disallows local operation	The following operation can be prohibited by applying certain settings on the centralized controller: ON/OFF, operation mode, set temperature, filter sign reset, air direction, fan speed and timer. * While an operation is prohibited, the operation icon lights up (only on the Main display in the "Full" mode).	X	○
Operation lock	The following operations can be prohibited: "Location," "On/Off," "Mode," "Set temp.," "Menu," "Fan," "Louver," or "Vane."	○	○
Temperature range restriction	The room temperature range for each operation mode can be restricted.	○	○
Auto return	The units operate at the preset temperature after a designated period. (Time can be set to a value from 30 to 120 minutes in 10-minute increments.) * Not valid when the temperature setting range is restricted.	○	X
Password	Administrator password (required for schedule setting etc.) and Maintenance password (required for test run and function setting etc.) can be set.	○	X

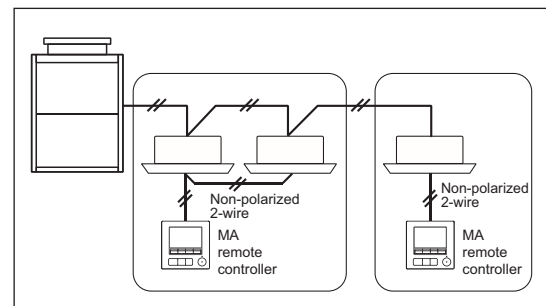
4. Miscellaneous items

○: Each group X: Not available

Item	Description	Setting	Display
Language Selection	Select the display language from the following 14 languages. English, French, Spanish, German, Italian, Dutch, Portuguese, Greek, Russian, Turkish, Czech, Hungarian, Polish, Swedish	○	○
Brightness Contrast	The brightness of the LCD can be adjusted. The contrast of the LCD can be adjusted.	○	○
Manual vane Angle *1	Fixes the vane position for each air outlet.	○	X
Service *1	Contains Test run, Function setting, Smooth maintenance, Request code, and Error history.	○	○
3D i-See sensor	Settings for 3D i-See sensor can be made.	○	○

*1 This function is active only for the units that support the function.
*2 The clock is accurate within 45 seconds per month (at the temperature of 25°C [77°F]). The clock is backed up for 3 days.
*3 Temperature will be displayed either in Centigrade in 0.5- or 1-degree increments, or in Fahrenheit, depending on the indoor unit model and the display mode setting on the remote controller.

■ System example



*When a PAR-40MAA is connected to a group, no other MA remote controllers can be connected to the same group.