

PUISSANCE ET PRESSION SONORE

PUISSANCE SONORE

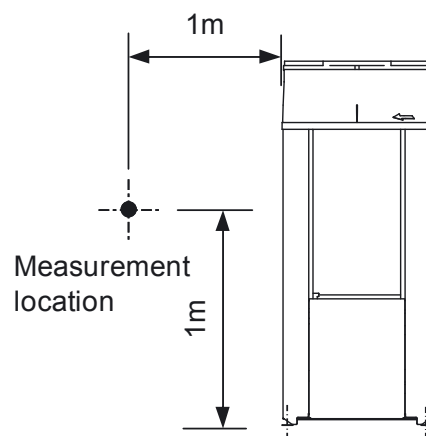
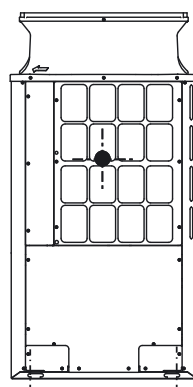
COOLING

| Model | (E)P200 |
|-----------|---------|
| 63 Hz | 77,5 |
| 125 Hz | 76,0 |
| 250 Hz | 74,5 |
| 500 Hz | 73,0 |
| 1000 Hz | 71,5 |
| 2000 Hz | 68,0 |
| 4000 Hz | 64,0 |
| 8000 Hz | 59,0 |
| PWL dB(A) | 76,0 |

HEATING

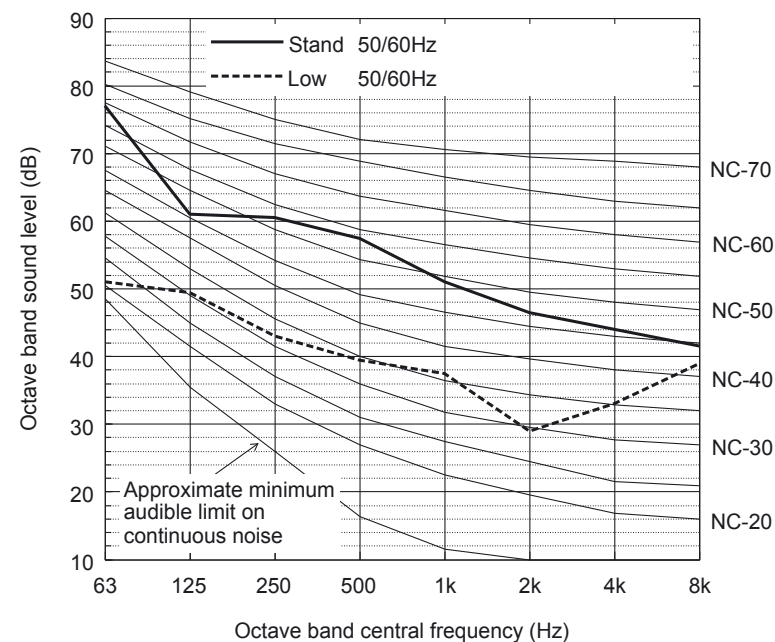
| Model | (E)P200 |
|-----------|---------|
| 63 Hz | 79,5 |
| 125 Hz | 78,0 |
| 250 Hz | 76,5 |
| 500 Hz | 74,5 |
| 1000 Hz | 73,0 |
| 2000 Hz | 69,0 |
| 4000 Hz | 69,5 |
| 8000 Hz | 61,5 |
| PWL dB(A) | 78,0 |

MEASUREMENT CONDITION
PURY-P200, 250, 300YNW-A(-BS)



PRESSION SONORE

SOUND LEVEL OF
PURY-P200YNW-A(-BS)



| | | 63 | 125 | 250 | 500 | 1k | 2k | 4k | 8k | dB(A) |
|------------------|---------|------|------|------|------|------|------|------|------|-------|
| Standard Cooling | 50/60Hz | 77.0 | 61.0 | 60.5 | 57.5 | 51.0 | 46.5 | 44.0 | 41.5 | 59.0 |
| Low noise mode | 50/60Hz | 51.0 | 49.5 | 43.0 | 39.5 | 37.5 | 29.0 | 33.0 | 39.0 | 44.0 |

When Low noise mode is set, the A/C system's capacity is limited. The system could return to normal operation from Low noise mode automatically in the case that the operation condition is severe.

PUISSANCE ET PRESSION SONORE

PUISSANCE SONORE

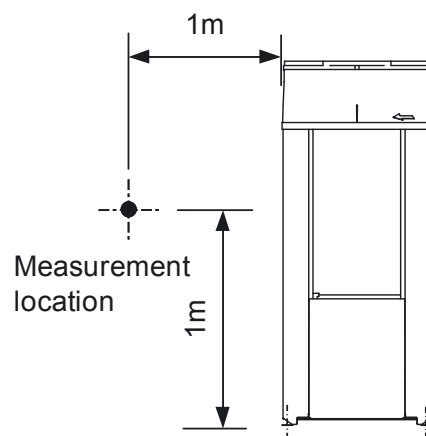
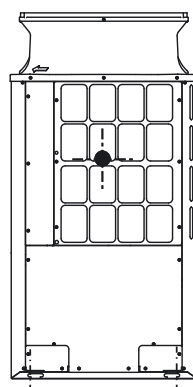
COOLING

| Model | (E)P250 |
|-----------|---------|
| 63 Hz | 80,5 |
| 125 Hz | 78,5 |
| 250 Hz | 77,0 |
| 500 Hz | 75,0 |
| 1000 Hz | 73,0 |
| 2000 Hz | 70,5 |
| 4000 Hz | 69,0 |
| 8000 Hz | 61,5 |
| PWL dB(A) | 78,5 |

HEATING

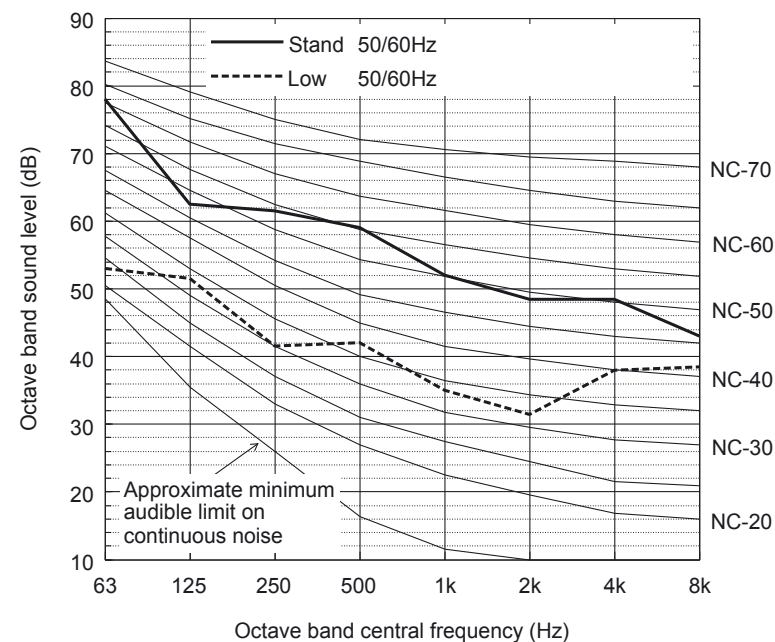
| Model | (E)P250 |
|-----------|---------|
| 63 Hz | 81,0 |
| 125 Hz | 79,5 |
| 250 Hz | 78,0 |
| 500 Hz | 76,5 |
| 1000 Hz | 75,0 |
| 2000 Hz | 71,0 |
| 4000 Hz | 72,0 |
| 8000 Hz | 63,0 |
| PWL dB(A) | 80,0 |

MEASUREMENT CONDITION
PURY-P200, 250, 300YNW-A(-BS)



PRESSION SONORE

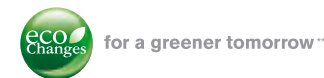
SOUND LEVEL OF
PURY-P250YNW-A(-BS)



| | | 63 | 125 | 250 | 500 | 1k | 2k | 4k | 8k | dB(A) |
|------------------|---------|------|------|------|------|------|------|------|------|-------|
| Standard Cooling | 50/60Hz | 78.0 | 62.5 | 61.5 | 59.0 | 52.0 | 48.5 | 48.5 | 43.0 | 60.5 |
| Low noise mode | 50/60Hz | 53.0 | 51.5 | 41.5 | 42.0 | 35.0 | 31.5 | 38.0 | 38.5 | 45.0 |

When Low noise mode is set, the A/C system's capacity is limited. The system could return to normal operation from Low noise mode automatically in the case that the operation condition is severe.

PUISSANCE ET PRESSION SONORE



PUISSANCE SONORE

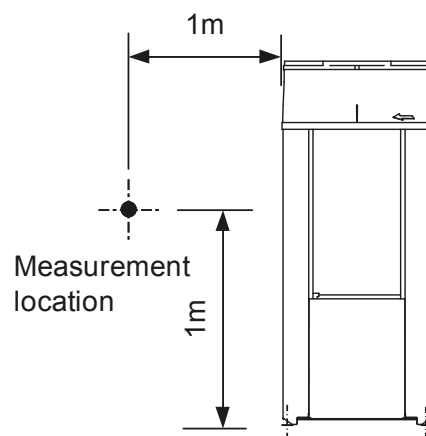
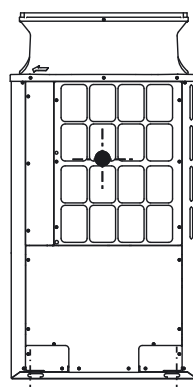
COOLING

| Model | (E)P300 |
|-----------|---------|
| 63 Hz | 79,0 |
| 125 Hz | 78,5 |
| 250 Hz | 77,5 |
| 500 Hz | 76,5 |
| 1000 Hz | 76,0 |
| 2000 Hz | 72,5 |
| 4000 Hz | 66,0 |
| 8000 Hz | 59,0 |
| PWL dB(A) | 80,0 |

HEATING

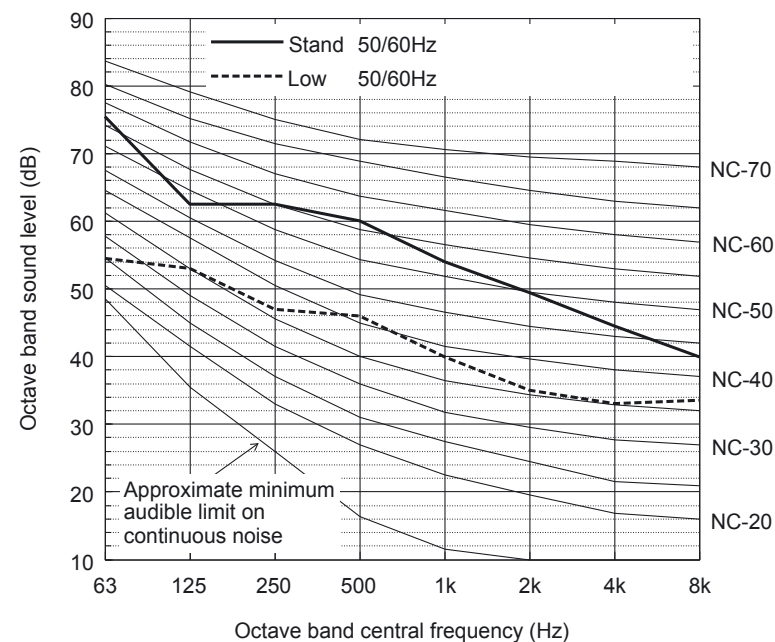
| Model | (E)P300 |
|-----------|---------|
| 63 Hz | 83,0 |
| 125 Hz | 83,0 |
| 250 Hz | 83,0 |
| 500 Hz | 82,5 |
| 1000 Hz | 82,5 |
| 2000 Hz | 79,0 |
| 4000 Hz | 75,0 |
| 8000 Hz | 68,0 |
| PWL dB(A) | 86,5 |

MEASUREMENT CONDITION
PURY-P200, 250, 300YNW-A(-BS)



PRESSION SONORE

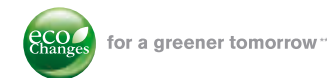
SOUND LEVEL OF
PURY-P300YNW-A(-BS)



| | | 63 | 125 | 250 | 500 | 1k | 2k | 4k | 8k | dB(A) |
|----------------|---------|------|------|------|------|------|------|------|------|-------|
| Standard | 50/60Hz | 75.5 | 62.5 | 62.5 | 60.0 | 54.0 | 49.5 | 44.5 | 40.0 | 61.0 |
| Low noise mode | 50/60Hz | 54.5 | 53.0 | 47.0 | 46.0 | 40.0 | 35.0 | 33.0 | 33.5 | 47.0 |

When Low noise mode is set, the A/C system's capacity is limited. The system could return to normal operation from Low noise mode automatically in the case that the operation condition is severe.

PUISSANCE ET PRESSION SONORE



PUISSANCE SONORE

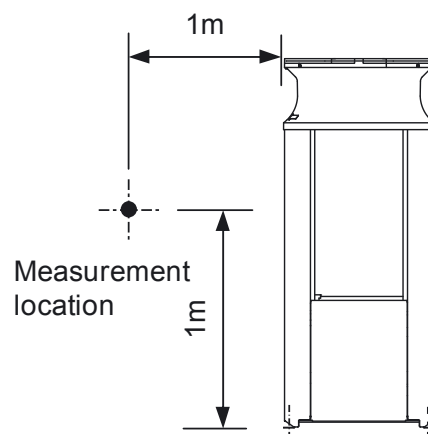
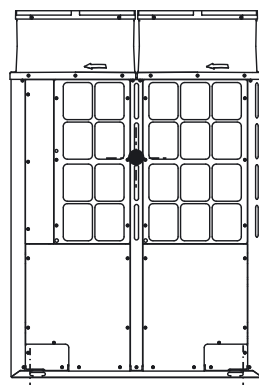
COOLING

| Model | (E)P350 |
|-----------|---------|
| 63 Hz | 77,5 |
| 125 Hz | 77,5 |
| 250 Hz | 77,5 |
| 500 Hz | 77,5 |
| 1000 Hz | 77,5 |
| 2000 Hz | 73,5 |
| 4000 Hz | 67,0 |
| 8000 Hz | 58,0 |
| PWL dB(A) | 81,0 |

HEATING

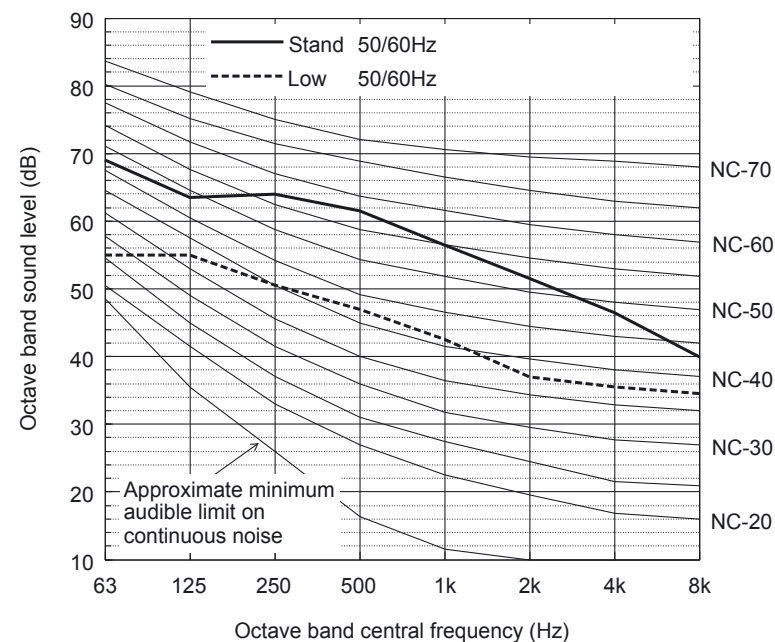
| Model | (E)P350 |
|-----------|---------|
| 63 Hz | 78,5 |
| 125 Hz | 78,5 |
| 250 Hz | 78,5 |
| 500 Hz | 78,5 |
| 1000 Hz | 78,5 |
| 2000 Hz | 76,0 |
| 4000 Hz | 73,5 |
| 8000 Hz | 67,5 |
| PWL dB(A) | 83,0 |

MEASUREMENT CONDITION
PURY-P350, 400, 450YNW-A(-BS)



PRESSION SONORE

SOUND LEVEL OF
PURY-P350YNW-A(-BS)



| | | 63 | 125 | 250 | 500 | 1k | 2k | 4k | 8k | dB(A) |
|----------------|---------|------|------|------|------|------|------|------|------|-------|
| Standard | 50/60Hz | 69.0 | 63.5 | 64.0 | 61.5 | 56.5 | 51.5 | 46.5 | 40.0 | 62.5 |
| Low noise mode | 50/60Hz | 55.0 | 55.0 | 50.5 | 47.0 | 42.5 | 37.0 | 35.5 | 34.5 | 49.0 |

When Low noise mode is set, the A/C system's capacity is limited. The system could return to normal operation from Low noise mode automatically in the case that the operation condition is severe.

PUISSANCE ET PRESSION SONORE

PUISSANCE SONORE

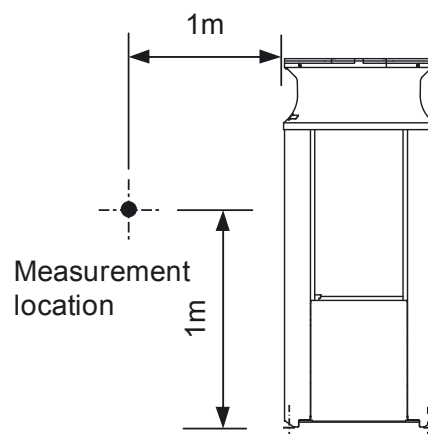
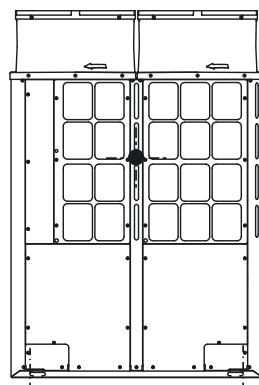
COOLING

| Model | (E)P400 |
|-----------|---------|
| 63 Hz | 79,5 |
| 125 Hz | 79,5 |
| 250 Hz | 79,5 |
| 500 Hz | 79,0 |
| 1000 Hz | 79,5 |
| 2000 Hz | 76,0 |
| 4000 Hz | 68,5 |
| 8000 Hz | 62,5 |
| PWL dB(A) | 83,0 |

HEATING

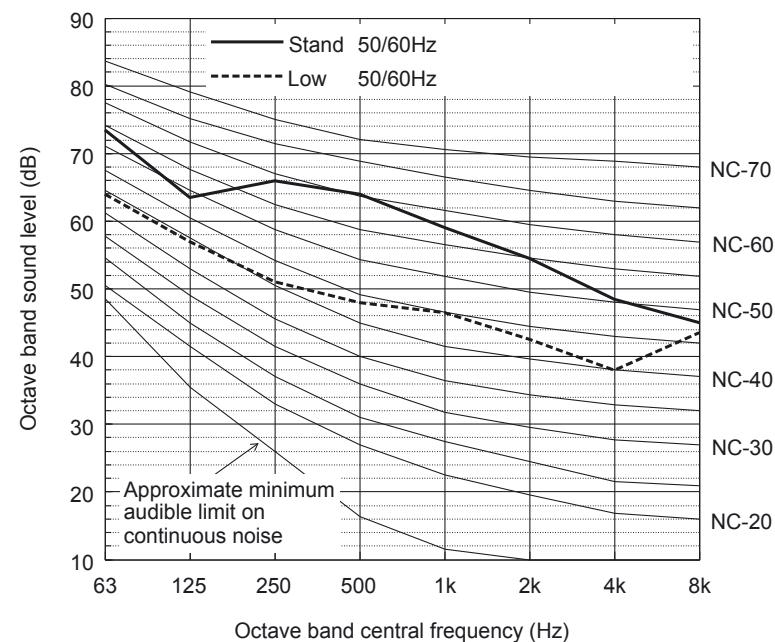
| Model | (E)P400 |
|-----------|---------|
| 63 Hz | 88,0 |
| 125 Hz | 87,0 |
| 250 Hz | 85,5 |
| 500 Hz | 84,5 |
| 1000 Hz | 83,5 |
| 2000 Hz | 81,0 |
| 4000 Hz | 76,0 |
| 8000 Hz | 68,0 |
| PWL dB(A) | 88,0 |

MEASUREMENT CONDITION
PURY-P350, 400, 450YNW-A(-BS)



PRESSION SONORE

SOUND LEVEL OF
PURY-P400YNW-A(-BS)



| | | 63 | 125 | 250 | 500 | 1k | 2k | 4k | 8k | dB(A) |
|----------------|---------|------|------|------|------|------|------|------|------|-------|
| Standard | 50/60Hz | 73.5 | 63.5 | 66.0 | 64.0 | 59.0 | 54.5 | 48.5 | 45.0 | 65.0 |
| Low noise mode | 50/60Hz | 64.0 | 57.0 | 51.0 | 48.0 | 46.5 | 42.5 | 38.0 | 43.5 | 52.0 |

When Low noise mode is set, the A/C system's capacity is limited. The system could return to normal operation from Low noise mode automatically in the case that the operation condition is severe.

PUISSANCE ET PRESSION SONORE

PUISSANCE SONORE

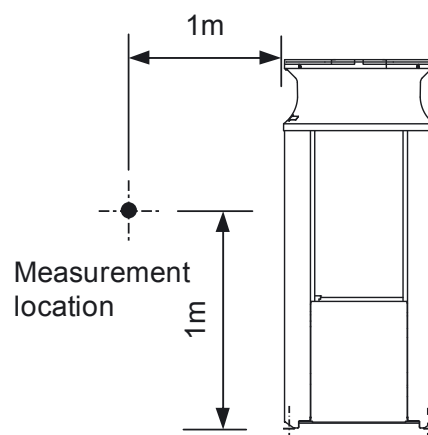
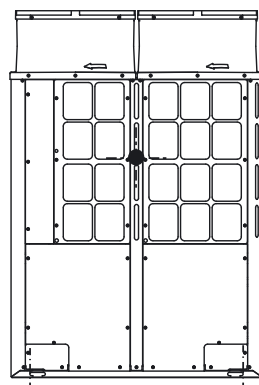
COOLING

| Model | (E)P450 |
|-----------|---------|
| 63 Hz | 79,5 |
| 125 Hz | 79,5 |
| 250 Hz | 79,5 |
| 500 Hz | 79,0 |
| 1000 Hz | 79,5 |
| 2000 Hz | 76,0 |
| 4000 Hz | 69,0 |
| 8000 Hz | 62,5 |
| PWL dB(A) | 83,0 |

HEATING

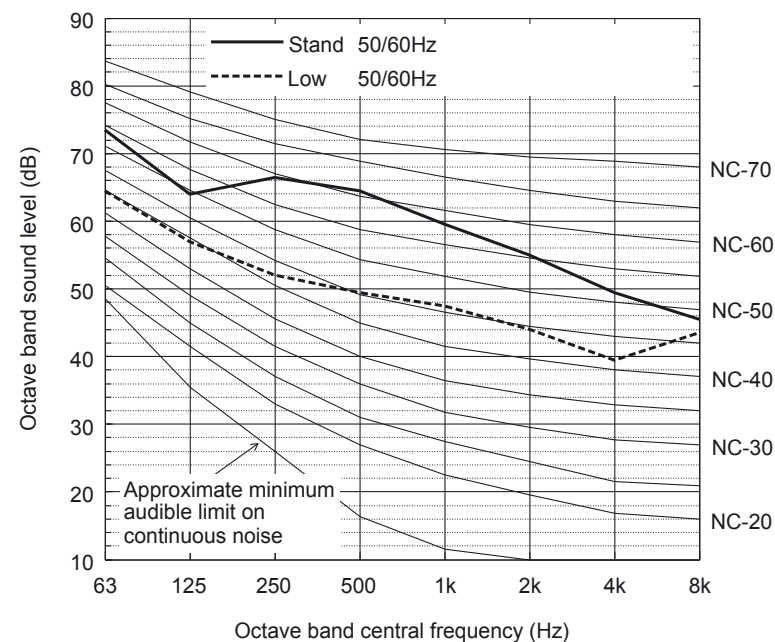
| Model | (E)P450 |
|-----------|---------|
| 63 Hz | 88,5 |
| 125 Hz | 87,5 |
| 250 Hz | 86,5 |
| 500 Hz | 85,5 |
| 1000 Hz | 84,0 |
| 2000 Hz | 82,0 |
| 4000 Hz | 78,0 |
| 8000 Hz | 69,5 |
| PWL dB(A) | 89,0 |

MEASUREMENT CONDITION
PURY-P350, 400, 450YNW-A(-BS)



PRESSION SONORE

SOUND LEVEL OF
PURY-P450YNW-A(-BS)



| | | 63 | 125 | 250 | 500 | 1k | 2k | 4k | 8k | dB(A) |
|----------------|---------|------|------|------|------|------|------|------|------|-------|
| Standard | 50/60Hz | 73.5 | 64.0 | 66.5 | 64.5 | 59.5 | 55.0 | 49.5 | 45.5 | 65.5 |
| Low noise mode | 50/60Hz | 64.5 | 57.0 | 52.0 | 49.5 | 47.5 | 44.0 | 39.5 | 43.5 | 53.0 |

When Low noise mode is set, the A/C system's capacity is limited. The system could return to normal operation from Low noise mode automatically in the case that the operation condition is severe.

PUISSANCE ET PRESSION SONORE

PUISSANCE SONORE

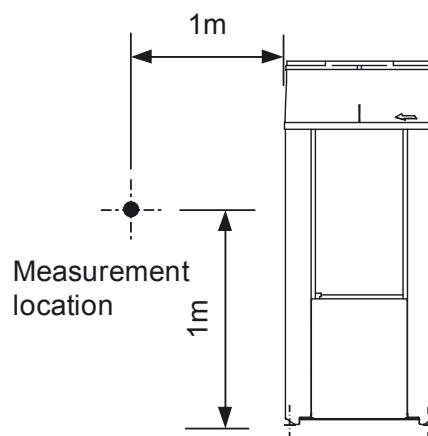
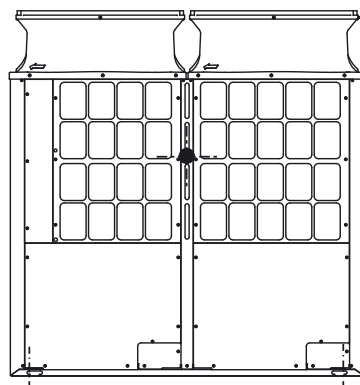
COOLING

| Model | (E)P500 |
|-----------|---------|
| 63 Hz | 77,5 |
| 125 Hz | 77,5 |
| 250 Hz | 77,5 |
| 500 Hz | 77,0 |
| 1000 Hz | 77,0 |
| 2000 Hz | 76,0 |
| 4000 Hz | 71,5 |
| 8000 Hz | 62,5 |
| PWL dB(A) | 82,0 |

HEATING

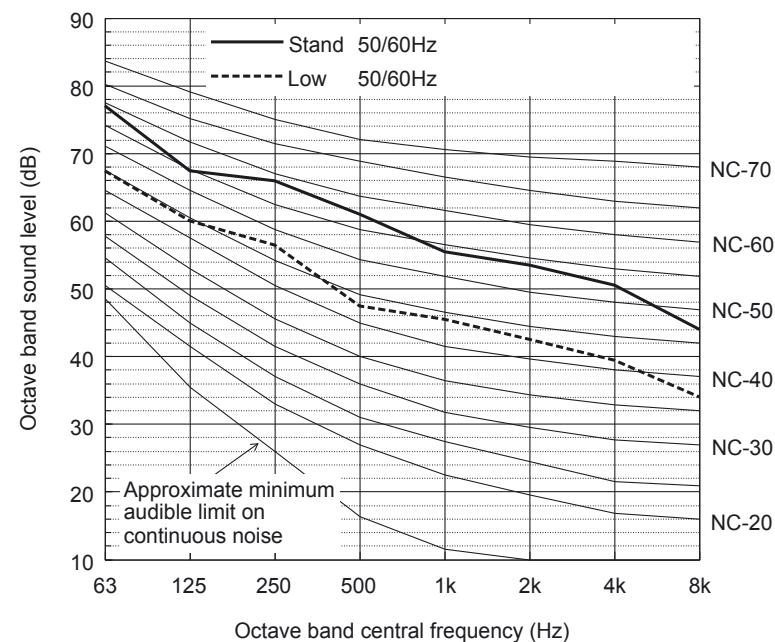
| Model | (E)P500 |
|-----------|---------|
| 63 Hz | 81,0 |
| 125 Hz | 80,0 |
| 250 Hz | 79,5 |
| 500 Hz | 79,0 |
| 1000 Hz | 78,5 |
| 2000 Hz | 78,0 |
| 4000 Hz | 75,0 |
| 8000 Hz | 67,5 |
| PWL dB(A) | 84,0 |

MEASUREMENT CONDITION
PURY-P500, 550YNW-A(-BS)



PRESSION SONORE

SOUND LEVEL OF
PURY-P500YNW-A(-BS)



| | | 63 | 125 | 250 | 500 | 1k | 2k | 4k | 8k | dB(A) |
|----------------|---------|------|------|------|------|------|------|------|------|-------|
| Standard | 50/60Hz | 77.0 | 67.5 | 66.0 | 61.0 | 55.5 | 53.5 | 50.5 | 44.0 | 63.5 |
| Low noise mode | 50/60Hz | 67.5 | 60.0 | 56.5 | 47.5 | 45.5 | 42.5 | 39.5 | 34.0 | 53.0 |

When Low noise mode is set, the A/C system's capacity is limited. The system could return to normal operation from Low noise mode automatically in the case that the operation condition is severe.

PUISSANCE ET PRESSION SONORE

PUISSANCE SONORE

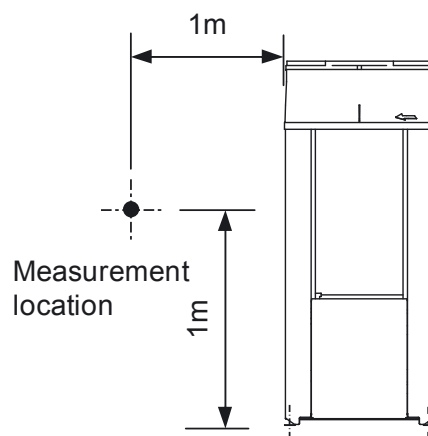
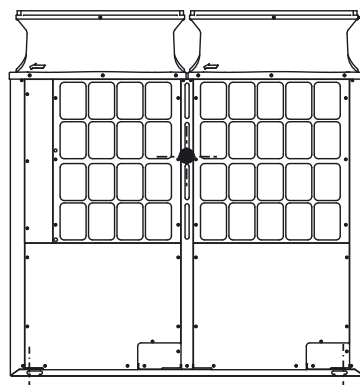
COOLING

| Model | (E)P550 |
|-----------|---------|
| 63 Hz | 79,5 |
| 125 Hz | 79,5 |
| 250 Hz | 79,0 |
| 500 Hz | 79,0 |
| 1000 Hz | 79,0 |
| 2000 Hz | 77,5 |
| 4000 Hz | 72,0 |
| 8000 Hz | 64,5 |
| PWL dB(A) | 83,5 |

HEATING

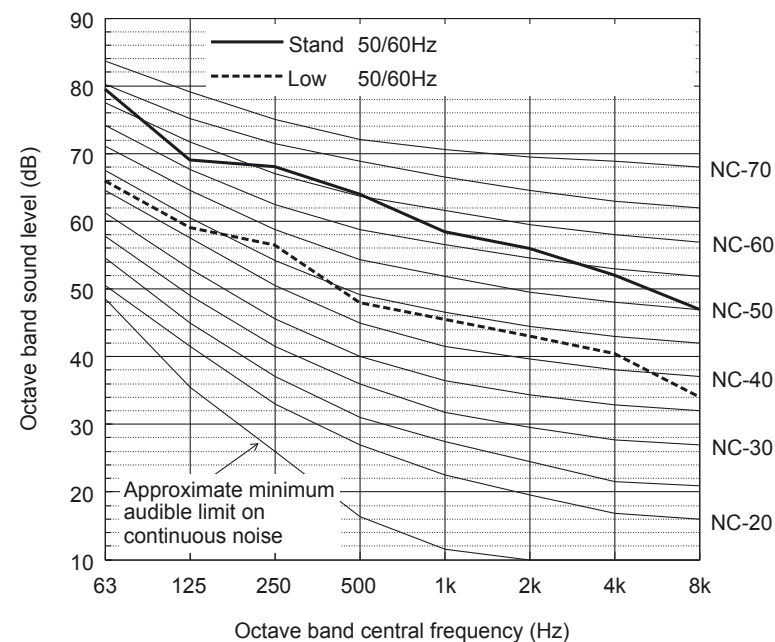
| Model | (E)P550 |
|-----------|---------|
| 63 Hz | 88,5 |
| 125 Hz | 87,5 |
| 250 Hz | 86,5 |
| 500 Hz | 85,0 |
| 1000 Hz | 84,0 |
| 2000 Hz | 82,0 |
| 4000 Hz | 78,0 |
| 8000 Hz | 73,0 |
| PWL dB(A) | 89,0 |

MEASUREMENT CONDITION
PURY-P500, 550YNW-A(-BS)



PRESSION SONORE

SOUND LEVEL OF
PURY-P550YNW-A(-BS)



| | | 63 | 125 | 250 | 500 | 1k | 2k | 4k | 8k | dB(A) |
|------------------|---------|------|------|------|------|------|------|------|------|-------|
| Standard Cooling | 50/60Hz | 79.5 | 69.0 | 68.0 | 64.0 | 58.5 | 56.0 | 52.0 | 47.0 | 66.0 |
| Low noise mode | 50/60Hz | 66.0 | 59.0 | 56.5 | 48.0 | 45.5 | 43.0 | 40.5 | 34.0 | 53.0 |

When Low noise mode is set, the A/C system's capacity is limited. The system could return to normal operation from Low noise mode automatically in the case that the operation condition is severe.