

PURY-EP200, 250, 300YNW-A(-BS)

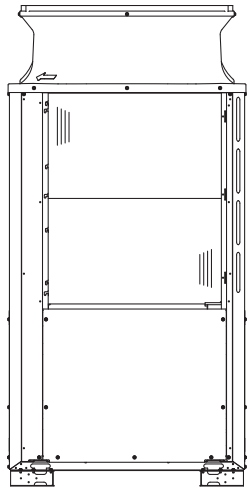
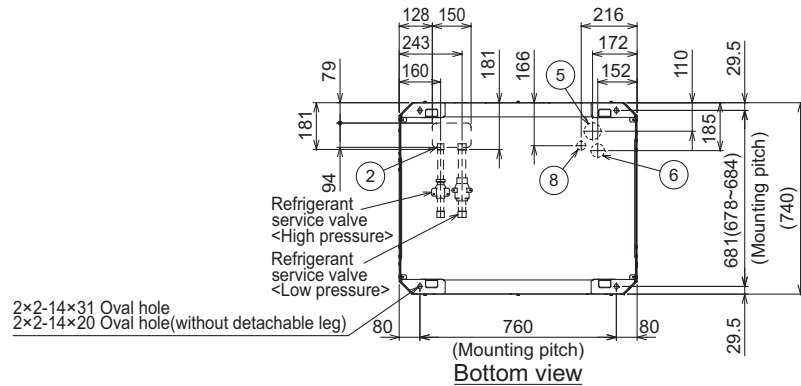
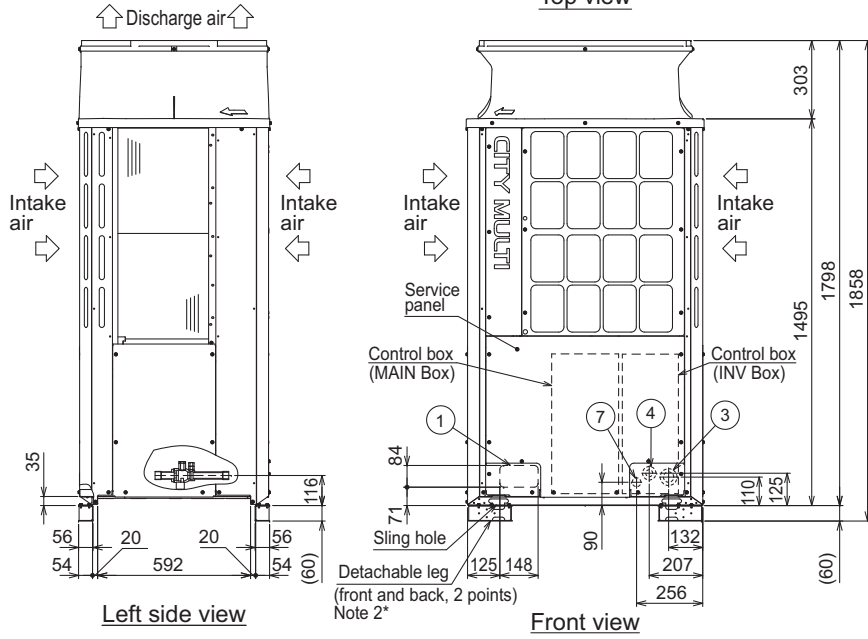
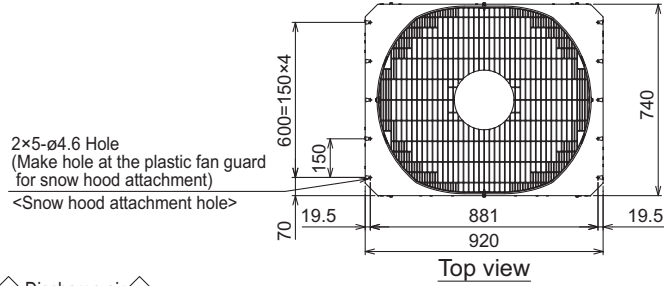
Unit: mm

- Note 1. Please refer to the next page for information regarding necessary spacing around the unit and foundation work.
 Note 2. The detachable leg can be removed at site.
 Note 3. At brazing of pipes, wrap the refrigerant service valve with wet cloth and keep the temperature of refrigerant service valve under 120°C.

Connecting pipe specifications

Model	Diameter			
	Refrigerant pipe		Service valve	
	High pressure	Low pressure	High pressure	Low pressure
EP200	ø15.88 Brazed *1	ø19.05 Brazed *1	ø22.2	ø28.58
EP250	ø19.05 Brazed *1	ø22.2 Brazed *1		
EP300				

*1 Connect the refrigerant pipe to the service valve according to the Installation Manual.



Rear view

Left side view

Front view

Bottom view